



Helical Inline Product Features I-2 to I-3

 Selection Procedure I-4

 Descriptions I-6

 Mounting Positions I-7

 Model Selection Index I-8

 Selection By Input H.P I-9 to I-37

 Integral Gearmotor Dimensions I-38 to I-43

 Ratings By Model I-44 to I-51

 Reducer Dimensions I-52 to I-63

 Optional Shafts I-64 to I-65

 Shipping Weights I-66

 Factory Options See Page L-47

For High Efficiency
Right Angle Gear Drives
See Poweratio® 2000
Helical Bevel and Helical Worm Units
Sections K & L

For High Efficiency
Parallel Gear Drives
See Poweratio® 2000
Compact Helical Parallel Units
Section J

For Sub-Fractional
Concentric Gearmotors
See Mina-Gear Gearmotors
Section P

New **Poweratio**[®] 4000

HIGH EFFICIENCY HELICAL IN-LINE DRIVES

Eight sizes with ratings up to 125HP or 25,000 in-lbs., and ratios from 2.25 up to 3334:1.



Ratios

Double reduction, triple reduction, and quad reduction (compound drives) readily assembled from stock modules. Double reduction up to 50:1, and triple reduction up to 325:1 provide greater ratio capability with fewer components.

Mounting

Foot mounting or flange mounting to interchange with major competitors. shaft Input, c-frame quill input, or gearmotor assemblies to provide complete drive package.

Contemporary Design

Rugged cast iron housings are accurately machined for precision operation, high strength and reliability.

Gearing

Precision crowned gears for smooth operation, high strength and durability.

Shafts

Alloy steel shafts plunge ground for accuracy and fine surface finish.

Bearings

Ball and tapered roller bearings generously sized for long life and high reliability.

Seals

Double lip seals on exposed shafts for enhanced protection and dependable sealing. Single lip seals on motor quill input for cooler running.



Lubrication

Filled with high quality gear lubricant at the factory.

Motors

Motors produced by Marathon Electric or Lincoln Motors for high efficiency, reliability and durability. See Section H.

Integral Gear Motors

Seven sizes available up to 5 HP



Helical In-Line Reducers

Double

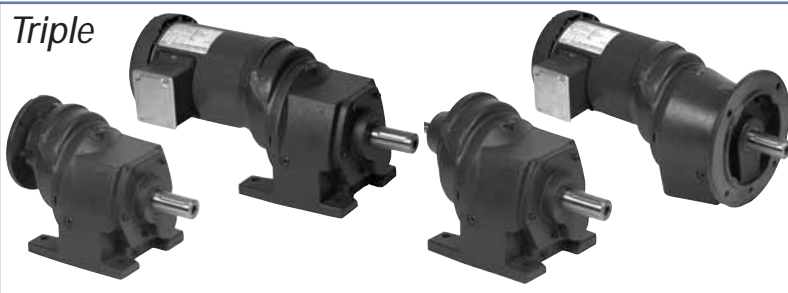


Flexible Configurations to Fit Your Application

Choose from

- *Double Reduction*
Ratios from 2.26 to 59.14*
- *Triple Reduction*
Ratios from 50/1 to 335/1*
- *Quad Reduction*
Ratios from 293/1 to 3334/1*

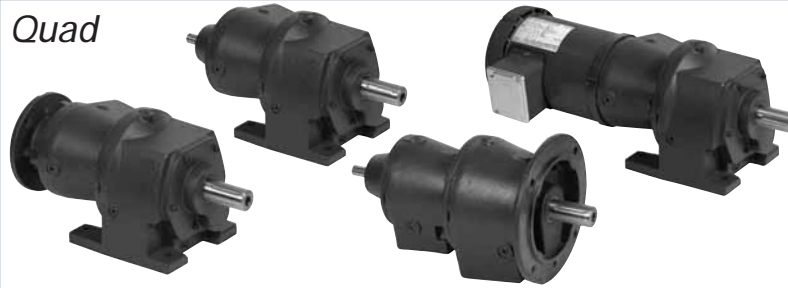
Triple



Choose an input mounting type

- *Integral Gearmotor*
- *C-Face Input*
- *Shaft Input*

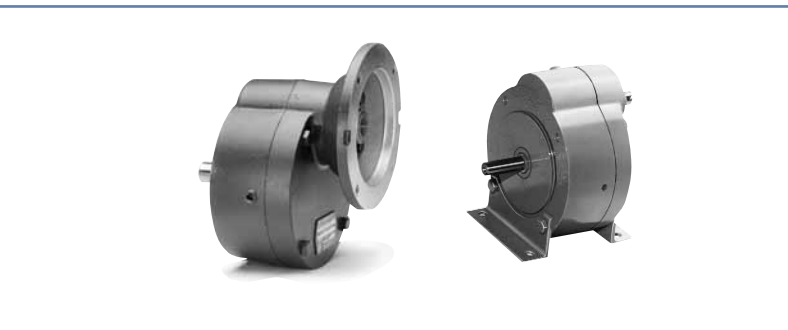
Quad



Choose an output mounting style

- *Foot Mount*
- *Flange Mount*

* Ratios vary specific to model



Ratio Multipliers

(see section F)

Single Reduction

*NEMA C-Frame Quill Input
Shaft Input*

*NEMA C-Frame Output
Mounting Foot Kit*

*Cleanline™ premium washdown duty and metric versions available,
See Section O or Consult Factory for details and specifications.*

Selection Procedure

Hub City provides two methods of selection for Reducers and Gearmotors.

On pages I-9 to I-37, the Selection Tables by Input H.P. can be used whenever the Input H.P. requirement is known. This method is commonly used for Gearmotors, but can also be used for Reducers.

On pages I-44 to I-51, the Input H.P. and Output Torque Ratings are provided for each model. These rating tables can be used for Reducers and Gearmotors.

SELECTION BY INPUT H.P.

For selection by Input H.P., determine the Input H.P., Output Speed and Load Classification (Service Factor) requirements. (See page I-5, A-2 and A-5 to A-8 for AGMA Load Classification and Service Factors.) Then refer to Selection Tables by Input H.P., locate the required H.P. and Output Speed, and read across to the required foot or flange mount unit.

These tables also list the Service Factor for the unit indicated. In many cases, more than one unit is listed, to provide different service factors. Select the unit with a service factor that meets or exceeds the requirement of the application.

Check the Output Overhung Load or Output Thrust rating and Output Torque to verify they meet the requirements. (The Output Torque listed is the actual torque obtained with the motor H.P. listed, not the rated torque.) Then refer to the dimension tables to check the unit dimensions.

If a Reducer with C-Frame input is desired, the available frame sizes for each Reducer model are shown in the dimension tables. Specify the description as shown on page I-6.

If a Motorized Reducer is desired, make the motor selection with compatible C-Frame size, from the motors listed in section H. Specify either the catalog number or the complete description of the motor, in addition to the Reducer description.

The selection tables indicate which units are available as Integral Gearmotors. If an Integral Gearmotor is desired, refer to the dimension tables on pages I-38 to I-43 for dimensions with all available motor sizes. Specify the motor H.P. in addition to the Reducer description.

Reducers may be ordered with other C-Frame sizes. The available frame sizes for each reducer model are shown in the dimension tables.

SELECTION FROM UNIT RATING TABLES BY INPUT H.P. OR OUTPUT TORQUE

Determine the actual Input H.P. or Output Torque required, Output Speed, and required Service Factor. Multiply the actual H.P. or torque by the required service factor to obtain the required rating of the Reducer. Refer to the Unit Rating Tables by Model and Output Speed, until you locate the model that meets or exceeds the required H.P. or Torque rating.

The actual service factor can be determined by dividing the unit rating by the actual H.P. or Torque.

Check the Input and Output overhung load ratings, and thrust rating to verify they meet the requirement. Then refer to the dimension tables to check the unit dimensions.

Available motor C-Frame sizes for each reducer model are shown in the dimension tables.

EFFICIENCY

Helical Gearing and Ball or Tapered Roller Bearings provide a drive with very high efficiency. The approximate efficiency is 97.5% per gear stage.

OVERHUNG LOADS AND THRUST LOADS

Overhung load and thrust ratings are listed in the Selection and Rating Tables. Note that OHL and Thrust Ratings cannot be applied simultaneously. Consult Hub City for applications with combined OHL and thrust load.

BRAKEMOTORS

Braking torque must not exceed the rated capacity of the unit.

Service Factors

Load Classification Numbers and Service Factors are used in the selection of Gearmotors and Reducers. The relationship between load class numbers and service factors is shown in Table 2.

The Load Class Numbers are designated for Gearmotors which have a uniform power source (i.e. Electric Motor). They consider the type of load and also the duration of service.

The Service Factors are designated for Reducers and consider other power sources (such as Internal Combustion Engines), as well as the type of load and duration of service.

Table 1 and Table 2 list Service Factors and Load Classes for general use.

AGMA Load Classification and Service Factor tables on pages A-5 to A-8 provide approximate service factors for various types of machinery. The service factors are based on uniform power source (i.e. electric motor). Use the service factor conversion table on page A-2 to obtain service factors for internal combustion engines.

All the Class Number and Service Factor charts are to be used as general guidelines for assistance in determining the required service factor. Rely on past experience as well. Consult the factory for severe applications, when there are safety considerations, or a need for extra high reliability.

Refer to page A-2 for further information and cautions on the selection of proper service factors.

Occasional starting loads up to 200% of catalog rating are permissible.

TABLE 1 – SERVICE FACTORS

Prime Mover	Duration of Service Per Day (1)	Driven Machine Load Classification		
		Uniform	Medium Shock	Heavy Shock
Electric Motor	Occasional 1/2 hr.	*	*	1.25
	Intermittent 3 hrs.	*	1.00	1.50
	3 - 10 hours	1.00	1.25	1.75
	Over 10 hours	1.25	1.50	2.00
Electric Motor With Frequent Starts and Stops (2)	Occasional 1/2 hr.	*	1.00	1.50
	Intermittent 3 hrs.	1.00	1.25	1.75
	3 - 10 hours	1.25	1.50	2.00
	Over 10 hours	1.50	1.75	2.25
Multi-Cylinder Internal Combustion Engine	Occasional 1/2 hr.	*	1.00	1.50
	Intermittent 3 hrs.	1.00	1.25	1.75
	3 - 10 hours	1.25	1.50	2.00
	Over 10 hours	1.50	1.75	2.25
Single Cylinder Internal Combustion Engine	Occasional 1/2 hr.	1.00	1.25	1.75
	Intermittent 3 hrs.	1.25	1.50	2.00
	3 - 10 hours	1.50	1.75	2.25
	Over 10 hours	1.75	2.00	2.50
Reversing Service Application		Consult Factory		

* Unspecified service factors should be 1.0 or as agreed upon by user and manufacturer.

Explanatory Notes

1. Time specified for intermittent and occasional service refers to total operating time per day.
2. Term "frequent starts and stops" refers to more than 10 starts per hour.

TABLE 2 – LOAD CLASSIFICATION NUMBERS

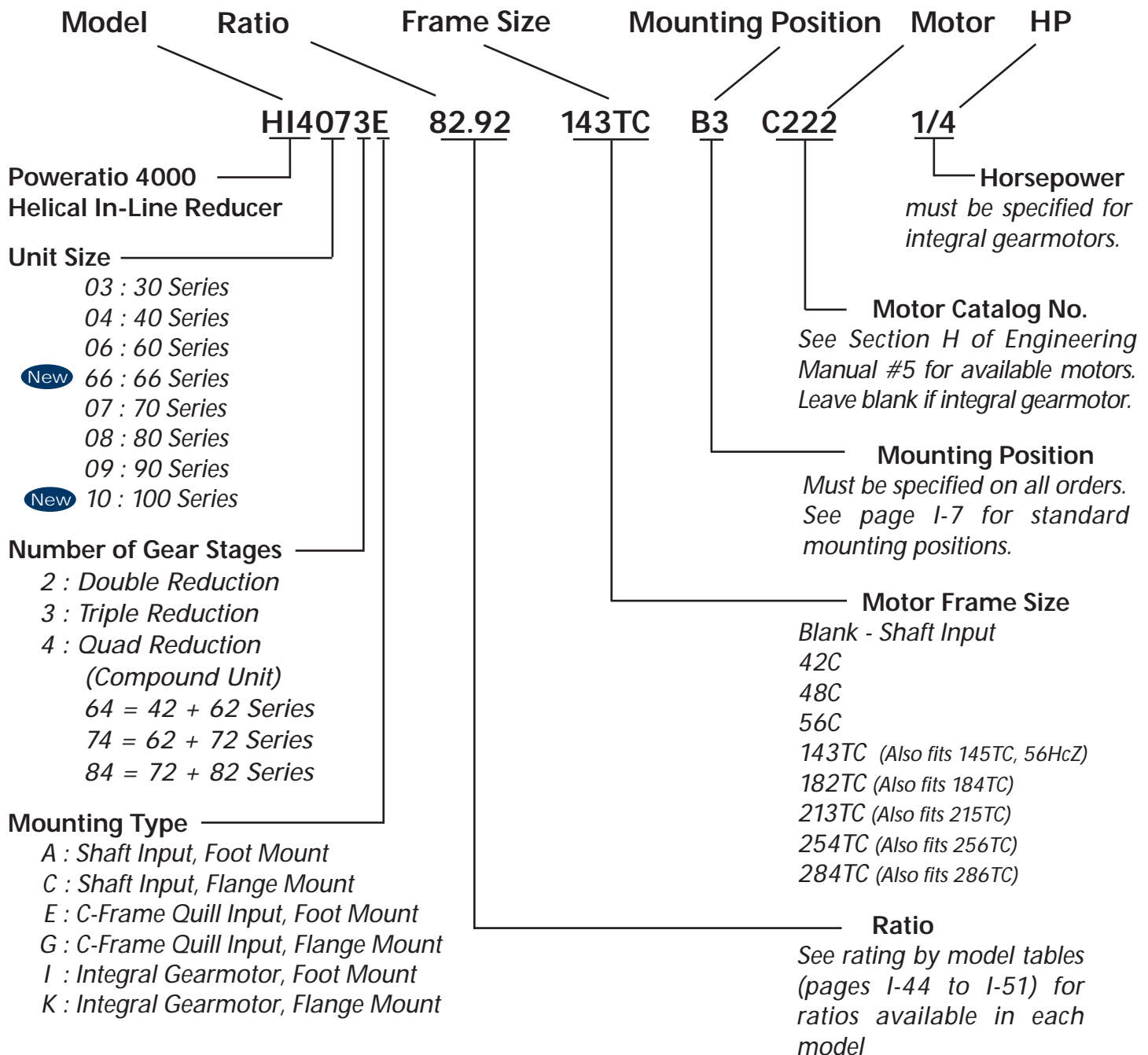
Load Class (S.F.)	Up to 3 hrs. total operation per Day	3 to 10 hrs. total operation per Day	Over 10 hrs. total operation per Day
I (1.0)	Moderate Shock Load	Uniform Load	
II (1.4)	Heavy Shock Load	Moderate Shock Load	Uniform Load
III (2.0)		Heavy Shock Load	Moderate Shock Load

Descriptions

Descriptions For Ordering Reducers And Gearmotors

The Mounting position must be specified on all orders, and included in the reducer description. To order Motorized Reducers, simply specify the reducer, indicate the motor description or catalog number and specify "Motorized Assembly". To order Integral Gearmotors,

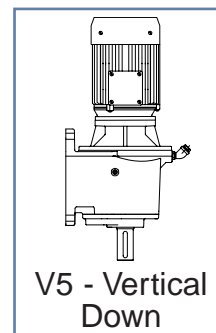
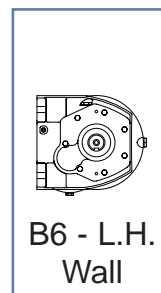
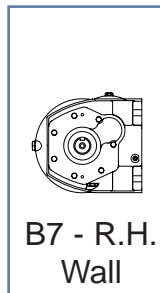
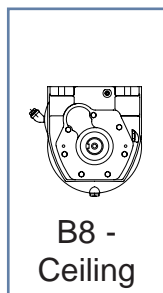
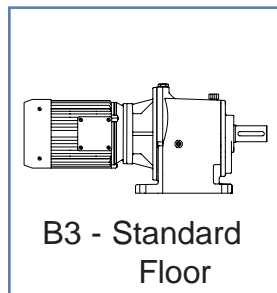
simply specify the reducer, motor horsepower and "Integral Gearmotor". Integral Gearmotors in this catalog are supplied with 3 phase 230/460v totally enclosed 1750 rpm general purpose motors.



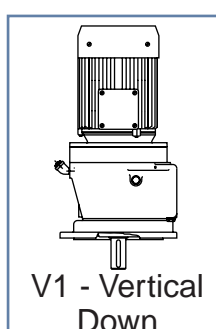
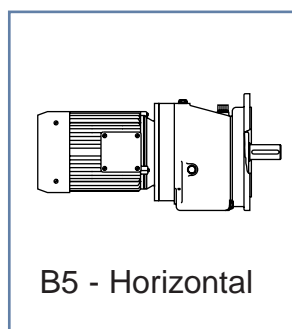
Mounting Positions

Mounting position must be specified on all factory orders, and included in the reducer description, so the correct amount of oil is installed at the factory. (Refer to Section R for lubrication information.)

Mounting Positions - Foot Mounted Reducers and Gearmotors



Mounting Positions - Flange Mounted Reducers and Gearmotors



For Mounting Positions Not Shown, Contact Factory.

Motor Descriptions

Available motors and motor data are listed in Section H. Either specify the catalog number or the complete description: HP, RPM, VOLTS, SINGLE OR THREE PHASE, C-FRAME SIZE, ENCLOSURE GENERAL PURPOSE OR OPTIONAL TYPES: WASHDOWN DUTY, INVERTER DUTY, BRAKE-MOTOR.

Motorized Reducers & Gearmotors

The Reducer and Motor are assembled at the factory, and filled with the proper quantity of lubricant based on your specified mounting position. Integral Gearmotors in this catalog are supplied with 3 phase 230/460v totally enclosed, fan cooled (TEFC) 1750 rpm general purpose motors. Special integral gearmotors are available. Consult the factory for details.

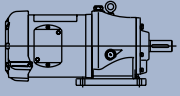
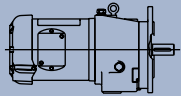
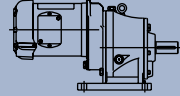
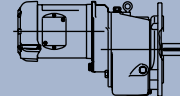
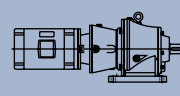
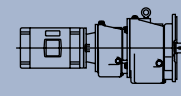
Standard Integral Gearmotors and Motorized Reducers are assembled at the factory with the conduit box and the conduit opening at the position illustrated in the dimensional section of this catalog. The user may rotate the body of the motor to reposition the conduit box (in 90° increments from original position). The conduit opening may also be repositioned at 90° increments from the original position. Both operations may be performed without disassembling the drive.

Backstops

Backstops are available as factory options. Consult the factory for details.

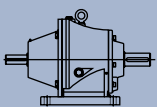
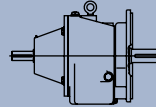
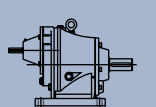
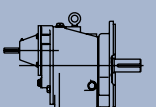
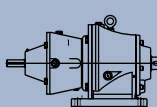
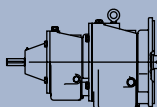
Model Index

Integral Gearmotors

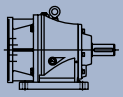
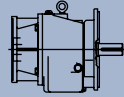
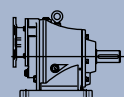
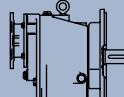
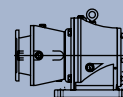
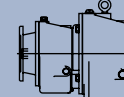
Double Reduction		Triple Reduction		Quad Reduction	
					
Page I-38 Foot	Page I-39 Flange	Page I-40 Foot	Page I-41 Flange	Page I-42 Foot	Page I-43 Flange

Motorized models are same as C-Frame Quill Models. Simply order the desired C-Frame reducer, specify the motor, and specify "Motorized Assembly".

Shaft Input

Series	Double Reduction		Triple Reduction		Quad Reduction	
						
	Foot	Flange	Foot	Flange	Foot	Flange
30	HI4032A Page I-53	HI4032C Page I-55	NA	NA	NA	NA
40	HI4042A Page I-53	HI4042C Page I-55	HI4043A Page I-57	HI4043C Page I-59	NA	NA
60	HI4062A Page I-53	HI4062C Page I-55	HI4063A Page I-57	HI4063C Page I-59	HI4064A Page I-61	HI4064C Page I-63
66	HI4662A Page I-53	HI4662C Page I-55	HI4663A Page I-57	HI4663C Page I-59	HI4664A Page I-61	HI4664C Page I-63
70	HI4072A Page I-53	HI4072C Page I-55	HI4073A Page I-57	HI4073C Page I-59	HI4074A Page I-61	HI4074C Page I-63
80	HI4082A Page I-53	HI4082C Page I-55	HI4083A Page I-57	HI4083C Page I-59	HI4084A Page I-61	HI4084C Page I-63
90	HI4092A Page I-53	HI4092C Page I-55	HI4093A Page I-57	HI4093C Page I-59	HI4094A Page I-61	HI4094C Page I-63
100	HI4102A Page I-53	HI4102C Page I-55	HI4103A Page I-57	HI4103C Page I-59	HI4104A Page I-61	HI4104C Page I-63

C-Frame Quill Input

Series	Double Reduction		Triple Reduction		Quad Reduction	
						
	Foot	Flange	Foot	Flange	Foot	Flange
30	HI4032E Page I-52	HI4032G Page I-54	NA	NA	NA	NA
40	HI4042E Page I-52	HI4042G Page I-54	HI4043E Page I-56	HI4043G Page I-58	NA	NA
60	HI4062E Page I-52	HI4062G Page I-54	HI4063E Page I-56	HI4063G Page I-58	HI4064E Page I-60	HI4064G Page I-62
66	HI4662E Page I-52	HI4662G Page I-54	HI4663E Page I-56	HI4663G Page I-58	HI4664E Page I-60	HI4664G Page I-62
70	HI4072E Page I-52	HI4072G Page I-54	HI4073E Page I-56	HI4073G Page I-58	HI4074E Page I-60	HI4074G Page I-62
80	HI4082E Page I-52	HI4082G Page I-54	HI4083E Page I-56	HI4083G Page I-58	HI4084E Page I-60	HI4084G Page I-62
90	HI4092E Page I-52	HI4092G Page I-54	HI4093E Page I-56	HI4093G Page I-58	HI4094E Page I-60	HI4094G Page I-62
100	HI4102E Page I-52	HI4102G Page I-54	HI4103E Page I-56	HI4103G Page I-58	HI4104E Page I-60	HI4104G Page I-62

Quick Start Guide To Selection Tables

HP	Output Speed	Output Torque	Ratio	Service Factor	Output OHL	Output Thrust	Gear Stages	Model*	Integral Gearmotor	
1/4	3.20	4051	489.11	1.33	1700	1500	4	HI4664	Available	
		4347	524.75	1.24	1700	1500	4	HI4664	Available	
		4542	536.67	3.02	3800	2400	4	HI4084	Available	
		4622	546.12	1.57	2240	1620	4	HI4074	Available	
		4757	574.33	1.13	1700	1500	4	HI4664	Available	
		5476	646.98	2.50	3800	2400	4	HI4084	Available	
		5497							HI4074	Available
		6783							HI4084	Available
		6797							HI4074	Available
		7238							HI4074	Available
1/2	1.76	8402						HI4084	Available	
		9896						HI4084	Available	
		10209						HI4094	Available	
		1410.13	1.15	3800	2400	4	HI4084	Available		
		1453.75	3.10	6500	5324					
		1566.66	1.03	3800	2400					
		1615.11	2.79	6500	5324					
		1713.43	1.83	4460	3440					
		1903.62	1.65	4460	3440					
		2112.65	1.49	4460	3440					
3/4	0.65	22674	2679.05	1.17	4460	3440	4	HI4094	Available	
		25398	3000.92	1.05	4460	3440	4	HI4094	Available	

1. Determine Input Horsepower, Output Speed and Load Classification (see Section A).

3. Locate Desired Output speed

4. Locate Required Service Factor (For Help refer to page I-5)

2. Find appropriate Selection by Input HP page (Beginning on page I-10)

5. Check the Output OHL, output thrust, and Output torque ratings to verify they meet your requirements (Output torque listed is the actual torque obtained by the motor HP listed, not the rated torque).

6. Read across to select model number. Refer to Page I-6 for Mounting type and Ordering information.

IN THIS CATALOG:
 HP = Horsepower
 Output torque is displayed in inch pounds (in. lbs.)
 OHL = Over hung load (measured at centerline of output shaft)
 Service Factor is based on maximum rated torque of gear drive

* Integral Gearmotors - Specify Mounting Type I or K, and motor horsepower (See page I-6).
 * Motorized Reducers - Specify Mounting Type E or G, and Motor Part number (See Section H)
 All torque values listed in inch-pounds, all overhung load and thrust load values listed in pounds.
 The point of application of OHL is considered to be applied at the midpoint of shaft extension.
 OHL and thrust ratings cannot be applied simultaneously. Consult the factory for applications with combined OHL and thrust load.
 At speeds above 1750 RPM, units may become thermally limited. For extended operation, limit HP to 1750 RPM rating.

HUB CITY POWERATIO® 4000 – HIGH EFFICIENCY HELICAL IN-LINE DRIVES

Selection By Input H.P. @ 1750 RPM

HP	Output Speed	Output Torque	Ratio	Service Factor	Output OHL	Output Thrust	Gear Stages	Model*	Integral Gearmotor
↑	731	21	2.39	18.50	200	260	2	HI4032	Available
	609	25	2.87	16.78	200	270	2	HI4032	
	435	35	4.02	13.98	210	300	2	HI4032	Available
	360	42	4.86	12.68	280	340	2	HI4032	Available
	300	50	5.84	11.43	300	360	2	HI4032	
	262	58	6.67	9.78	350	400	2	HI4032	Available
	248	61	7.06	10.03	220	350	2	HI4032	Available
	214	71	8.17	8.00	410	440	2	HI4032	Available
	202	75	8.66	8.67	240	370	2	HI4032	Available
	173	87	10.09	7.44	290	410	2	HI4032	
	156	97	11.21	7.09	400	470	2	HI4032	Available
	146	103	11.96	6.18	360	450	2	HI4032	Available
	122	124	14.33	5.49	420	470	2	HI4032	Available
	105	144	16.66	12.50	980	1250	2	HI4042	Available
	99	152	17.59	4.60	420	470	2	HI4032	Available
	89	170	19.67	4.21	420	470	2	HI4032	
	85	177	20.49	4.12	420	470	2	HI4032	Available
	72	210	24.28	3.49	420	470	2	HI4032	Available
	70	216	25.04	8.41	1150	1250	2	HI4042	Available
	62	243	28.12	2.99	420	470	2	HI4032	
	61	249	28.79	7.35	1150	1250	2	HI4042	Available
	53	288	33.32	2.52	420	470	2	HI4032	Available
	48	316	36.56	5.82	1150	1250	2	HI4042	Available
	46	327	37.85	2.25	420	470	2	HI4032	Available
1/4	41	372	43.10	1.98	420	470	2	HI4032	Available
	40	381	44.10	4.85	1150	1250	2	HI4042	Available
	35	436	50.47	4.06	1150	1250	2	HI4042	Available
	34	449	51.93	1.63	420	470	2	HI4032	Available
	31	472	55.79	8.73	1600	1400	3	HI4063	Available
	30	511	59.14	1.43	420	470	2	HI4032	Available
	29	512	60.54	3.61	1150	1250	3	HI4043	Available
	24.1	615	72.63	3.01	1150	1250	3	HI4043	Available
	22.1	670	79.17	2.76	1150	1250	3	HI4043	Available
	18.9	785	92.74	2.36	1150	1250	3	HI4043	Available
	17.4	853	100.76	2.17	1150	1250	3	HI4043	Available
	15.2	975	115.15	1.90	1150	1250	3	HI4043	Available
	14.4	1026	121.28	1.80	1150	1250	3	HI4043	Available
	13.1	1127	133.14	1.64	1150	1250	3	HI4043	Available
	11.7	1263	149.23	3.28	1600	1400	3	HI4063	Available
	11.3	1306	154.35	1.42	1150	1250	3	HI4043	Available
	11.0	1350	159.46	3.07	1600	1400	3	HI4063	Available
	9.9	1493	176.40	1.24	1150	1250	3	HI4043	Available
	9.7	1523	180.00	2.72	1600	1400	3	HI4063	Available
	9.2	1618	191.13	3.32	1700	1500	3	HI4663	Available
	8.6	1726	203.96	1.07	1150	1250	3	HI4043	Available
	8.5	1743	206.00	2.37	1600	1400	3	HI4063	Available
	7.8	1888	223.03	2.84	1700	1500	3	HI4663	Available
	7.6	1937	228.92	3.75	2240	1620	3	HI4073	Available
	7.2	2068	244.29	2.00	1600	1400	3	HI4063	Available
	6.3	2366	279.57	1.75	1600	1400	3	HI4063	Available
	6.2	2400	283.56	3.03	2240	1620	3	HI4073	Available
↓	6.0	2478	292.80	2.17	1700	1500	3	HI4663	Available

* Integral Gearmotors - Specify Mounting Type I or K, and motor horsepower (See page I-6).

* Motorized Reducers - Specify Mounting Type E or G, and Motor Part number (See Section H)

All torque values listed in inch-pounds, all overhung load and thrust load values listed in pounds.

The point of application of OHL is considered to be applied at the midpoint of shaft extension.

OHL and thrust ratings cannot be applied simultaneously. Consult the factory for applications with combined OHL and thrust load.

At speeds above 1750 RPM, units may become thermally limited. For extended operation, limit HP to 1750 RPM rating.

Selection By Input H.P. @ 1750 RPM

HP	Output Speed	Output Torque	Ratio	Service Factor	Output OHL	Output Thrust	Gear Stages	Model*	Integral Gearmotor
1/4	5.96	2431	293.47	1.70	1600	1400	4	HI4064	Available
	5.49	2638	318.50	1.57	1600	1400	4	HI4064	Available
	5.39	2747	324.52	2.64	2240	1620	3	HI4073	Available
	5.22	2836	335.09	1.89	1700	1500	3	HI4663	Available
	5.07	2919	344.84	2.49	2240	1620	4	HI4074	
	4.90	3021	356.92	2.40	2240	1620	4	HI4074	Available
	4.89	2963	357.70	1.40	1600	1400	4	HI4064	Available
	4.89	2965	357.93	1.81	1700	1500	4	HI4664	Available
	4.38	3312	399.90	1.25	1600	1400	4	HI4064	Available
	4.37	3388	400.36	2.14	2240	1620	4	HI4074	
	4.22	3433	414.47	1.56	1700	1500	4	HI4664	Available
	3.94	3683	444.68	1.46	1700	1500	4	HI4664	Available
	3.93	3767	445.13	1.93	2240	1620	4	HI4074	Available
	3.93	3768	445.16	3.64	3800	2400	4	HI4084	Available
	3.83	3789	457.48	1.09	1600	1400	4	HI4064	Available
	3.58	4051	489.11	1.33	1700	1500	4	HI4664	Available
	3.33	4347	524.75	1.24	1700	1500	4	HI4664	Available
	3.26	4542	536.67	3.02	3800	2400	4	HI4084	Available
	3.20	4622	546.12	1.57	2240	1620	4	HI4074	Available
	3.05	4757	574.33	1.13	1700	1500	4	HI4664	Available
	2.70	5476	646.98	2.50	3800	2400	4	HI4084	Available
	2.69	5497	649.47	1.32	2240	1620	4	HI4074	Available
	2.18	6783	801.43	2.02	3800	2400	4	HI4084	Available
	2.18	6797	803.08	1.07	2240	1620	4	HI4074	
	2.05	7238	855.21	1.00	2240	1620	4	HI4074	
	1.76	8402	992.73	1.63	3800	2400	4	HI4084	Available
	1.50	9896	1169.33	1.38	3800	2400	4	HI4084	
	1.45	10209	1206.25	2.61	4460	3440	4	HI4094	
	1.38	10704	1264.75	1.28	3800	2400	4	HI4084	
	1.26	11777	1391.56	2.26	4460	3440	4	HI4094	
1.24	11934	1410.13	1.15	3800	2400	4	HI4084		
1.20	12304	1453.75	3.10	6500	5350	4	HI4104		
1.12	13259	1566.66	1.03	3800	2400	4	HI4084		
1.08	13669	1615.11	2.79	6500	5350	4	HI4104		
1.02	14501	1713.43	1.83	4460	3440	4	HI4094		
0.92	16111	1903.62	1.65	4460	3440	4	HI4094		
0.83	17880	2112.65	1.49	4460	3440	4	HI4094		
0.65	22674	2679.05	1.17	4460	3440	4	HI4094		
0.58	25398	3000.92	1.05	4460	3440	4	HI4094		
1/3	731	27	2.39	14.02	200	260	2	HI4032	Available
	609	33	2.87	12.71	200	270	2	HI4032	
	435	46	4.02	10.59	210	300	2	HI4032	Available
	360	55	4.86	9.61	280	340	2	HI4032	Available
	300	67	5.84	8.66	300	360	2	HI4032	
	262	76	6.67	7.41	350	400	2	HI4032	Available
	248	81	7.06	7.60	220	350	2	HI4032	Available
	214	93	8.17	6.06	410	440	2	HI4032	Available
	202	99	8.66	6.57	240	370	2	HI4032	Available
	173	115	10.09	5.64	290	410	2	HI4032	
	156	128	11.21	5.37	400	470	2	HI4032	Available
	146	136	11.96	4.68	360	450	2	HI4032	Available
	122	164	14.33	4.16	420	470	2	HI4032	Available

* Integral Gearmotors - Specify Mounting Type I or K, and motor horsepower (See page I-6).

* Motorized Reducers - Specify Mounting Type E or G, and Motor Part number (See Section H)

All torque values listed in inch-pounds, all overhung load and thrust load values listed in pounds.

The point of application of OHL is considered to be applied at the midpoint of shaft extension.

OHL and thrust ratings cannot be applied simultaneously. Consult the factory for applications with combined OHL and thrust load.

At speeds above 1750 RPM, units may become thermally limited. For extended operation, limit HP to 1750 RPM rating.

HUB CITY POWERATIO® 4000 – HIGH EFFICIENCY HELICAL IN-LINE DRIVES

Selection By Input H.P. @ 1750 RPM

HP	Output Speed	Output Torque	Ratio	Service Factor	Output OHL	Output Thrust	Gear Stages	Model*	Integral Gearmotor
↑	105	190	16.66	9.47	980	1250	2	HI4042	Available
	99	201	17.59	3.49	420	470	2	HI4032	Available
	89	224	19.67	3.19	420	470	2	HI4032	Available
	85	234	20.49	3.12	420	470	2	HI4032	Available
	84	237	20.77	7.64	1050	1250	2	HI4042	Available
	72	277	24.28	2.64	420	470	2	HI4032	Available
	70	286	25.04	6.37	1150	1250	2	HI4042	Available
	62	321	28.12	2.26	420	470	2	HI4032	Available
	53	380	33.32	1.91	420	470	2	HI4032	Available
	48	417	36.56	4.41	1150	1250	2	HI4042	Available
	46	432	37.85	1.70	420	470	2	HI4032	Available
	41	492	43.10	1.50	420	470	2	HI4032	Available
	40	503	44.10	3.68	1150	1250	2	HI4042	Available
	35	576	50.47	3.07	1150	1250	2	HI4042	Available
	34	593	51.93	1.23	420	470	2	HI4032	Available
	30	675	59.14	1.08	420	470	2	HI4032	Available
	28.9	676	60.54	2.74	1150	1250	3	HI4043	Available
	25.7	760	68.00	5.42	1600	1400	3	HI4063	Available
	24.1	811	72.63	2.28	1150	1250	3	HI4043	Available
	22.1	884	79.17	2.09	1150	1250	3	HI4043	Available
	20.6	947	84.76	4.37	1600	1400	3	HI4063	Available
	19.0	1031	92.29	4.02	1600	1400	3	HI4063	Available
	18.9	1036	92.74	1.79	1150	1250	3	HI4043	Available
	17.4	1126	100.76	1.64	1150	1250	3	HI4043	Available
	17.1	1142	102.22	3.63	1600	1400	3	HI4063	Available
	15.2	1285	115.03	3.22	1600	1400	3	HI4063	Available
	15.2	1286	115.15	1.44	1150	1250	3	HI4043	Available
	14.4	1355	121.28	1.37	1150	1250	3	HI4043	Available
	13.8	1421	127.22	3.78	1700	1500	3	HI4663	Available
	13.1	1487	133.14	1.24	1150	1250	3	HI4043	Available
	12.7	1540	137.88	3.49	1700	1500	3	HI4663	Available
	12.6	1550	138.73	2.67	1600	1400	3	HI4063	Available
	11.7	1667	149.23	2.48	1600	1400	3	HI4063	Available
	11.3	1724	154.35	1.07	1150	1250	3	HI4043	Available
	11.0	1781	159.46	2.32	1600	1400	3	HI4063	Available
	10.8	1772	161.57	3.03	1700	1500	3	HI4663	Available
	9.7	2011	180.00	2.06	1600	1400	3	HI4063	Available
	9.5	2068	185.10	3.51	2240	1620	3	HI4073	Available
	9.2	2120	189.79	3.42	2240	1620	3	HI4073	Available
	9.2	2135	191.13	2.51	1700	1500	3	HI4663	Available
	8.5	2301	206.00	1.80	1600	1400	3	HI4063	Available
	7.8	2492	223.03	2.16	1700	1500	3	HI4663	Available
7.6	2557	228.92	2.84	2240	1620	3	HI4073	Available	
7.4	2626	235.09	2.76	2240	1620	3	HI4073	Available	
7.2	2712	242.75	1.98	1700	1500	3	HI4663	Available	
7.2	2729	244.29	1.52	1600	1400	3	HI4063	Available	
6.7	2927	261.99	2.48	2240	1620	3	HI4073	Available	
6.3	3123	279.57	1.33	1600	1400	3	HI4063	Available	
6.2	3168	283.56	2.29	2240	1620	3	HI4073	Available	
6.0	3271	292.80	1.64	1700	1500	3	HI4663	Available	
5.96	3209	293.47	1.29	1600	1400	4	HI4064	Available	
5.64	3466	310.23	3.95	3800	2400	4	HI4084	Available	
5.49	3482	318.50	1.19	1600	1400	4	HI4064	Available	

* Integral Gearmotors - Specify Mounting Type I or K, and motor horsepower (See page I-6).
 * Motorized Reducers - Specify Mounting Type E or G, and Motor Part number (See Section H)
 All torque values listed in inch-pounds, all overhung load and thrust load values listed in pounds.
 The point of application of OHL is considered to be applied at the midpoint of shaft extension.
 OHL and thrust ratings cannot be applied simultaneously. Consult the factory for applications with combined OHL and thrust load.
 At speeds above 1750 RPM, units may become thermally limited. For extended operation, limit HP to 1750 RPM rating.

Selection By Input H.P. @ 1750 RPM

HP	Output Speed	Output Torque	Ratio	Service Factor	Output OHL	Output Thrust	Gear Stages	Model*	Integral Gearmotor	
↑	5.39	3625	324.52	2.00	2240	1620	3	HI4073	Available	
	5.22	3744	335.09	1.43	1700	1500	3	HI4663	Available	
	5.07	3852	344.84	1.88	2240	1620	4	HI4074		
	4.98	3924	351.29	3.49	3800	2400	4	HI4084	Available	
	4.90	3987	356.92	1.82	2240	1620	4	HI4074	Available	
	4.89	3911	357.70	1.06	1600	1400	4	HI4064	Available	
	4.89	3914	357.93	1.37	1700	1500	4	HI4664	Available	
	4.37	4472	400.30	3.06	3800	2400	4	HI4084	Available	
	4.37	4473	400.36	1.62	2240	1620	4	HI4074		
	4.22	4532	414.47	1.18	1700	1500	4	HI4664	Available	
	3.94	4862	444.68	1.10	1700	1500	4	HI4664	Available	
	3.93	4973	445.13	1.46	2240	1620	4	HI4074	Available	
	3.93	4973	445.16	2.75	3800	2400	4	HI4084	Available	
	3.58	5348	489.11	1.00	1700	1500	4	HI4664	Available	
	3.26	5995	536.67	2.29	3800	2400	4	HI4084	Available	
	3.20	6101	546.12	1.19	2240	1620	4	HI4074	Available	
	2.70	7228	646.98	1.90	3800	2400	4	HI4084	Available	
	2.69	7256	649.47	1.00	2240	1620	4	HI4074	Available	
	2.67	7329	656.02	3.63	4460	3440	4	HI4094	Available	
	2.18	8953	801.43	1.53	3800	2400	4	HI4084	Available	
↓	2.17	9024	807.76	2.95	4460	3440	4	HI4094		
	2.12	9230	826.21	4.13	6500	5350	4	HI4104		
	1.95	10018	896.70	3.80	6500	5350	4	HI4104		
	1.79	10944	979.66	2.43	4460	3440	4	HI4094		
	1.76	11090	992.73	1.24	3800	2400	4	HI4084	Available	
	1.75	11149	997.98	3.42	6500	5350	4	HI4104		
	1.71	11433	1023.44	3.33	6500	5350	4	HI4104		
	1.56	12507	1119.52	3.05	6500	5350	4	HI4104		
	1.50	13063	1169.33	1.05	3800	2400	4	HI4084		
	1.45	13476	1206.25	1.97	4460	3440	4	HI4094		
	1.38	14166	1268.07	2.69	6500	5350	4	HI4104		
	1.26	15546	1391.56	1.71	4460	3440	4	HI4094		
	1.24	15739	1408.82	2.42	6500	5350	4	HI4104		
	1.20	16241	1453.75	2.35	6500	5350	4	HI4104		
	1.08	18043	1615.11	2.11	6500	5350	4	HI4104		
	1.02	19142	1713.43	1.39	4460	3440	4	HI4094		
	0.92	21267	1903.62	1.25	4460	3440	4	HI4094		
	0.83	23602	2112.65	1.13	4460	3440	4	HI4094		
	↑	731	41	2.39	9.25	200	260	2	HI4032	Available
		609	50	2.87	8.39	200	270	2	HI4032	
593		51	2.95	20.79	550	630	2	HI4042	Available	
529		57	3.31	19.22	570	650	2	HI4042	Available	
470		64	3.72	18.19	580	660	2	HI4042	Available	
435		70	4.02	6.99	210	300	2	HI4032	Available	
416		73	4.21	17.59	590	650	2	HI4042	Available	
366		83	4.78	15.49	620	690	2	HI4042	Available	
360		84	4.86	6.34	280	340	2	HI4032	Available	
320		95	5.47	13.54	650	730	2	HI4042	Available	
300		101	5.84	5.72	300	360	2	HI4032		
298		101	5.87	12.61	680	780	2	HI4042	Available	
285		106	6.13	13.59	710	840	2	HI4042	Available	
262		115	6.67	4.89	350	400	2	HI4032	Available	
255		119	6.86	12.31	740	880	2	HI4042	Available	
↓		731	41	2.39	9.25	200	260	2	HI4032	Available
		609	50	2.87	8.39	200	270	2	HI4032	
	593	51	2.95	20.79	550	630	2	HI4042	Available	
	529	57	3.31	19.22	570	650	2	HI4042	Available	
	470	64	3.72	18.19	580	660	2	HI4042	Available	
	435	70	4.02	6.99	210	300	2	HI4032	Available	
	416	73	4.21	17.59	590	650	2	HI4042	Available	
	366	83	4.78	15.49	620	690	2	HI4042	Available	
	360	84	4.86	6.34	280	340	2	HI4032	Available	
	320	95	5.47	13.54	650	730	2	HI4042	Available	

* Integral Gearmotors - Specify Mounting Type I or K, and motor horsepower (See page I-6).

* Motorized Reducers - Specify Mounting Type E or G, and Motor Part number (See Section H)

All torque values listed in inch-pounds, all overhung load and thrust load values listed in pounds.

The point of application of OHL is considered to be applied at the midpoint of shaft extension.

OHL and thrust ratings cannot be applied simultaneously. Consult the factory for applications with combined OHL and thrust load.

At speeds above 1750 RPM, units may become thermally limited. For extended operation, limit HP to 1750 RPM rating.

HUB CITY POWERATIO® 4000 – HIGH EFFICIENCY HELICAL IN-LINE DRIVES

Selection By Input H.P. @ 1750 RPM

HP	Output Speed	Output Torque	Ratio	Service Factor	Output OHL	Output Thrust	Gear Stages	Model*	Integral Gearmotor
↑	248	122	7.06	5.02	220	350	2	HI4032	Available
	227	133	7.70	11.12	770	920	2	HI4042	Available
	214	141	8.17	4.00	410	440	2	HI4032	Available
	202	150	8.66	4.33	240	370	2	HI4032	Available
	179	169	9.80	9.50	820	980	2	HI4042	Available
	173	174	10.09	3.72	290	410	2	HI4032	
	157	193	11.14	8.83	850	1010	2	HI4042	Available
	156	194	11.21	3.55	400	470	2	HI4032	Available
	146	207	11.96	3.09	360	450	2	HI4032	Available
	137	220	12.74	7.90	890	1060	2	HI4042	Available
	128	236	13.67	7.53	920	1100	2	HI4042	Available
	122	248	14.33	2.74	420	470	2	HI4032	Available
	105	288	16.66	6.25	980	1250	2	HI4042	Available
	99	304	17.59	2.30	420	470	2	HI4032	Available
	89	340	19.67	2.10	420	470	2	HI4032	Available
	85	354	20.49	2.06	420	470	2	HI4032	
	84	359	20.77	5.04	1050	1250	2	HI4042	Available
	72	420	24.28	1.74	420	470	2	HI4032	Available
	70	433	25.04	4.20	1150	1250	2	HI4042	Available
	62	486	28.12	1.49	420	470	2	HI4032	
	61	498	28.79	3.68	1150	1250	2	HI4042	Available
	53	576	33.32	1.26	420	470	2	HI4032	Available
	48	632	36.56	2.91	1150	1250	2	HI4042	Available
	46	654	37.85	1.12	420	470	2	HI4032	Available
1/2	40	762	44.10	2.43	1150	1250	2	HI4042	Available
	35	872	50.47	2.03	1150	1250	2	HI4042	Available
	31	944	55.79	4.36	1600	1400	3	HI4063	Available
	28.9	1025	60.54	1.81	1150	1250	3	HI4043	Available
	28.4	1044	61.69	3.95	1600	1400	3	HI4063	Available
	26.9	1101	65.07	4.88	1700	1500	3	HI4663	Available
	25.7	1151	68.00	3.58	1600	1400	3	HI4063	Available
	24.1	1229	72.63	1.50	1150	1250	3	HI4043	Available
	23.1	1282	75.71	3.23	1600	1400	3	HI4063	Available
	22.1	1340	79.17	1.38	1150	1250	3	HI4043	Available
	20.6	1435	84.76	2.89	1600	1400	3	HI4063	Available
	19.0	1562	92.29	2.65	1600	1400	3	HI4063	Available
	18.9	1570	92.74	1.18	1150	1250	3	HI4043	Available
	17.4	1706	100.76	1.08	1150	1250	3	HI4043	Available
	17.1	1730	102.22	2.39	1600	1400	3	HI4063	Available
	15.8	1873	110.67	2.87	1700	1500	3	HI4663	Available
	15.2	1947	115.03	2.13	1600	1400	3	HI4063	Available
	13.8	2153	127.22	2.49	1700	1500	3	HI4663	Available
	13.1	2260	133.53	3.21	2240	1620	3	HI4073	Available
	12.7	2334	137.88	2.30	1700	1500	3	HI4663	Available
	12.6	2348	138.73	1.76	1600	1400	3	HI4063	Available
	11.7	2526	149.23	1.64	1600	1400	3	HI4063	Available
	11.7	2529	149.43	2.87	2240	1620	3	HI4073	Available
	11.0	2699	159.46	1.53	1600	1400	3	HI4063	Available
	10.9	2726	161.04	2.66	2240	1620	3	HI4073	Available
	10.8	2685	161.57	2.00	1700	1500	3	HI4663	Available
	9.7	3047	180.00	1.36	1600	1400	3	HI4063	Available
	9.5	3133	185.10	2.32	2240	1620	3	HI4073	Available
↓	9.2	3213	189.79	2.26	2240	1620	3	HI4073	Available

* Integral Gearmotors - Specify Mounting Type I or K, and motor horsepower (See page I-6).
 * Motorized Reducers - Specify Mounting Type E or G, and Motor Part number (See Section H)
 All torque values listed in inch-pounds, all overhung load and thrust load values listed in pounds.
 The point of application of OHL is considered to be applied at the midpoint of shaft extension.
 OHL and thrust ratings cannot be applied simultaneously. Consult the factory for applications with combined OHL and thrust load.
 At speeds above 1750 RPM, units may become thermally limited. For extended operation, limit HP to 1750 RPM rating.



Selection By Input H.P. @ 1750 RPM

HP	Output Speed	Output Torque	Ratio	Service Factor	Output OHL	Output Thrust	Gear Stages	Model*	Integral Gearmotor
1/2	9.2	3235	191.13	1.66	1700	1500	3	HI4663	Available
	8.5	3487	206.00	1.19	1600	1400	3	HI4063	Available
	7.8	3775	223.03	1.42	1700	1500	3	HI4663	Available
	7.7	3830	226.28	3.58	3800	2400	3	HI4083	
	7.6	3875	228.92	3.54	3800	2400	3	HI4083	
	7.6	3875	228.92	1.87	2240	1620	3	HI4073	Available
	7.4	3979	235.09	1.82	2240	1620	3	HI4073	Available
	7.2	4109	242.75	1.31	1700	1500	3	HI4663	Available
	7.2	4135	244.29	1.00	1600	1400	3	HI4063	Available
	6.7	4413	260.72	3.10	3800	2400	3	HI4083	
	6.7	4435	261.99	1.64	2240	1620	3	HI4073	Available
	6.2	4800	283.56	1.51	2240	1620	3	HI4073	Available
	6.2	4800	283.57	2.85	3800	2400	3	HI4083	
	6.0	4956	292.80	1.08	1700	1500	3	HI4663	Available
	5.64	5251	310.23	2.61	3800	2400	4	HI4084	
	5.42	5466	322.95	2.51	3800	2400	3	HI4083	
	5.39	5493	324.52	1.32	2240	1620	3	HI4073	Available
	5.07	5837	344.84	1.24	2240	1620	4	HI4074	
	4.98	5946	351.29	2.30	3800	2400	4	HI4084	Available
	4.90	6041	356.92	1.20	2240	1620	4	HI4074	Available
	4.37	6776	400.30	2.02	3800	2400	4	HI4084	Available
	4.37	6777	400.36	1.07	2240	1620	4	HI4074	
	3.93	7535	445.16	1.82	3800	2400	4	HI4084	Available
	3.57	8306	490.71	3.20	4460	3440	4	HI4094	
	3.26	9084	536.67	1.51	3800	2400	4	HI4084	Available
	3.15	9392	554.88	2.83	4460	3440	4	HI4094	
	2.77	10681	631.04	2.49	4460	3440	4	HI4094	
	2.70	10951	646.98	1.25	3800	2400	4	HI4084	Available
2.67	11104	656.02	2.40	4460	3440	4	HI4094		
2.18	13566	801.43	1.01	3800	2400	4	HI4084	Available	
2.17	13673	807.76	1.95	4460	3440	4	HI4094		
2.12	13985	826.21	2.72	6500	5350	4	HI4104		
1.95	15178	896.70	2.51	6500	5350	4	HI4104		
1.79	16582	979.66	1.60	4460	3440	4	HI4094		
1.75	16893	997.98	2.26	6500	5350	4	HI4104		
1.71	17323	1023.44	2.20	6500	5350	4	HI4104		
1.56	18950	1119.52	2.01	6500	5350	4	HI4104		
1.45	20418	1206.25	1.30	4460	3440	4	HI4094		
1.38	21464	1268.07	1.78	6500	5350	4	HI4104		
1.26	23555	1391.56	1.13	4460	3440	4	HI4094		
1.24	23847	1408.82	1.60	6500	5350	4	HI4104		
1.20	24607	1453.75	1.55	6500	5350	4	HI4104		
1.08	27339	1615.11	1.39	6500	5350	4	HI4104		
3/4	731	62	2.39	6.17	200	260	2	HI4032	Available
	665	68	2.63	14.96	530	610	2	HI4042	Available
	609	75	2.87	5.59	200	270	2	HI4032	
	593	76	2.95	13.86	550	630	2	HI4042	Available
	529	86	3.31	12.82	570	650	2	HI4042	Available
	470	96	3.72	12.13	580	660	2	HI4042	Available
	435	104	4.02	4.66	210	300	2	HI4032	Available
	416	109	4.21	11.73	590	650	2	HI4042	Available
	366	124	4.78	10.33	620	690	2	HI4042	Available
	360	126	4.86	4.23	280	340	2	HI4032	Available

* Integral Gearmotors - Specify Mounting Type I or K, and motor horsepower (See page I-6).

* Motorized Reducers - Specify Mounting Type E or G, and Motor Part number (See Section H)

All torque values listed in inch-pounds, all overhung load and thrust load values listed in pounds.

The point of application of OHL is considered to be applied at the midpoint of shaft extension.

OHL and thrust ratings cannot be applied simultaneously. Consult the factory for applications with combined OHL and thrust load.

At speeds above 1750 RPM, units may become thermally limited. For extended operation, limit HP to 1750 RPM rating.

HUB CITY POWERATIO® 4000 – HIGH EFFICIENCY HELICAL IN-LINE DRIVES

Selection By Input H.P. @ 1750 RPM

HP	Output Speed	Output Torque	Ratio	Service Factor	Output OHL	Output Thrust	Gear Stages	Model*	Integral Gearmotor
↑	320	142	5.47	9.02	650	730	2	HI4042	Available
	300	151	5.84	3.81	300	360	2	HI4032	
	298	152	5.87	8.41	680	780	2	HI4042	Available
	285	159	6.13	9.06	710	840	2	HI4042	Available
	262	173	6.67	3.26	350	400	2	HI4032	Available
	255	178	6.86	8.21	740	880	2	HI4042	Available
	248	183	7.06	3.34	220	350	2	HI4032	Available
	227	200	7.70	7.41	770	920	2	HI4042	Available
	214	212	8.17	2.67	410	440	2	HI4032	Available
	202	225	8.66	2.89	240	370	2	HI4032	Available
	179	254	9.80	6.34	820	980	2	HI4042	Available
	173	262	10.09	2.48	290	410	2	HI4032	
	166	273	10.52	13.49	1340	1140	2	HI4062	Available
	157	289	11.14	5.89	850	1010	2	HI4042	Available
	156	291	11.21	2.36	400	470	2	HI4032	Available
	146	310	11.96	2.06	360	450	2	HI4032	Available
	137	330	12.74	5.27	890	1060	2	HI4042	Available
	128	354	13.67	5.02	920	1100	2	HI4042	Available
	122	372	14.33	1.83	420	470	2	HI4032	Available
	105	432	16.66	4.17	980	1250	2	HI4042	Available
	100	454	17.50	8.84	1600	1400	2	HI4062	Available
	99	456	17.59	1.53	420	470	2	HI4032	Available
	89	510	19.67	1.40	420	470	2	HI4032	Available
	88	519	20.00	7.77	1600	1400	2	HI4062	Available
	85	531	20.49	1.37	420	470	2	HI4032	
3/4	84	539	20.77	3.36	1050	1250	2	HI4042	Available
	82	557	21.47	7.26	1600	1400	2	HI4062	Available
	72	630	24.28	1.16	420	470	2	HI4032	Available
	70	649	25.04	2.80	1150	1250	2	HI4042	Available
	64	704	27.14	5.77	1600	1400	2	HI4062	
	62	729	28.12	1.00	420	470	2	HI4032	
	61	747	28.79	2.45	1150	1250	2	HI4042	Available
	54	843	32.50	4.85	1600	1400	2	HI4062	
	49	931	35.91	4.40	1600	1400	2	HI4062	
	48	948	36.56	1.94	1150	1250	2	HI4042	Available
	40	1144	44.10	1.62	1150	1250	2	HI4042	Available
	39	1167	45.00	3.52	1600	1400	2	HI4062	
	35	1309	50.47	1.35	1150	1250	2	HI4042	Available
	34	1329	51.25	3.10	1600	1400	2	HI4062	
	31	1417	55.79	2.91	1600	1400	3	HI4063	Available
	29.0	1534	60.40	3.50	1700	1500	3	HI4663	Available
	28.9	1537	60.54	1.20	1150	1250	3	HI4043	Available
	28.4	1566	61.69	2.63	1600	1400	3	HI4063	Available
	26.9	1652	65.07	3.25	1700	1500	3	HI4663	Available
	25.7	1727	68.00	2.39	1600	1400	3	HI4063	Available
	24.7	1801	70.95	4.03	2240	1620	3	HI4073	Available
	24.4	1818	71.61	3.99	2240	1620	3	HI4073	Available
	24.1	1844	72.63	1.00	1150	1250	3	HI4043	Available
	23.7	1877	73.94	2.86	1700	1500	3	HI4663	Available
	23.1	1922	75.71	2.15	1600	1400	3	HI4063	Available
	21.4	2080	81.92	3.49	2240	1620	3	HI4073	Available
	20.7	2148	84.59	2.50	1700	1500	3	HI4663	Available
	20.6	2152	84.76	1.92	1600	1400	3	HI4063	Available
↓	20.2	2196	86.48	3.31	2240	1620	3	HI4073	Available

* Integral Gearmotors - Specify Mounting Type I or K, and motor horsepower (See page I-6).

* Motorized Reducers - Specify Mounting Type E or G, and Motor Part number (See Section H)

All torque values listed in inch-pounds, all overhung load and thrust load values listed in pounds.

The point of application of OHL is considered to be applied at the midpoint of shaft extension.

OHL and thrust ratings cannot be applied simultaneously. Consult the factory for applications with combined OHL and thrust load.

At speeds above 1750 RPM, units may become thermally limited. For extended operation, limit HP to 1750 RPM rating.

Selection By Input H.P. @ 1750 RPM

HP	Output Speed	Output Torque	Ratio	Service Factor	Output OHL	Output Thrust	Gear Stages	Model*	Integral Gearmotor
↑	19.9	2232	87.89	3.25	2240	1620	3	HI4073	Available
	19.1	2330	91.77	2.30	1700	1500	3	HI4663	Available
	19.0	2343	92.29	1.77	1600	1400	3	HI4063	Available
	17.1	2595	102.22	1.60	1600	1400	3	HI4063	Available
	16.3	2720	107.12	2.67	2240	1620	3	HI4073	Available
	15.8	2810	110.67	1.91	1700	1500	3	HI4663	Available
	15.2	2921	115.03	1.42	1600	1400	3	HI4063	Available
	13.9	3200	126.03	4.28	3800	2400	3	HI4083	Available
	13.8	3230	127.22	1.66	1700	1500	3	HI4663	Available
	13.5	3301	130.00	2.20	2240	1620	3	HI4073	Available
	13.1	3390	133.53	2.14	2240	1620	3	HI4073	Available
	12.9	3435	135.30	3.99	3800	2400	3	HI4083	Available
	12.7	3501	137.88	1.53	1700	1500	3	HI4663	Available
	12.7	3506	138.08	3.91	3800	2400	3	HI4083	Available
	12.6	3522	138.73	1.18	1600	1400	3	HI4063	Available
	11.7	3789	149.23	1.09	1600	1400	3	HI4063	Available
	11.7	3794	149.43	1.91	2240	1620	3	HI4073	Available
	11.6	3825	150.66	3.58	3800	2400	3	HI4083	Available
	11.1	4000	157.54	3.43	3800	2400	3	HI4083	Available
	11.0	4049	159.46	1.02	1600	1400	3	HI4063	Available
	10.9	4089	161.04	1.78	2240	1620	3	HI4073	Available
	10.8	4028	161.57	1.33	1700	1500	3	HI4663	Available
	10.6	4198	165.33	3.26	3800	2400	3	HI4083	Available
	10.2	4343	171.04	3.15	3800	2400	3	HI4083	Available
3/4	9.6	4638	182.68	2.95	3800	2400	3	HI4083	Available
	9.5	4700	185.10	1.54	2240	1620	3	HI4073	Available
	9.4	4738	186.62	2.89	3800	2400	3	HI4083	Available
	9.2	4819	189.79	1.51	2240	1620	3	HI4073	Available
	9.2	4853	191.13	1.11	1700	1500	3	HI4663	Available
	8.5	5200	204.80	2.63	3800	2400	3	HI4083	Available
	7.7	5745	226.28	2.38	3800	2400	3	HI4083	Available
	7.6	5812	228.92	2.36	3800	2400	3	HI4083	Available
	7.6	5812	228.92	1.25	2240	1620	3	HI4073	Available
	7.4	5969	235.09	1.22	2240	1620	3	HI4073	Available
	7.1	6297	248.00	4.22	4460	3440	3	HI4093	Available
	6.7	6620	260.72	2.07	3800	2400	3	HI4083	Available
	6.7	6652	261.99	1.09	2240	1620	3	HI4073	Available
	6.2	7177	282.68	3.71	4460	3440	3	HI4093	Available
	6.2	7200	283.56	1.01	2240	1620	3	HI4073	Available
	6.2	7200	283.57	1.90	3800	2400	3	HI4083	Available
	5.64	7877	310.23	1.74	3800	2400	4	HI4084	Available
	5.57	7974	314.06	3.34	4460	3440	3	HI4093	Available
	5.42	8200	322.95	1.67	3800	2400	3	HI4083	Available
	4.98	8919	351.29	1.54	3800	2400	4	HI4084	Available
	4.90	9075	357.43	2.93	4460	3440	4	HI4094	Available
	4.40	10104	397.95	3.77	6500	5350	4	HI4104	Available
	4.37	10164	400.30	1.35	3800	2400	4	HI4084	Available
	3.99	11126	438.20	2.39	4460	3440	4	HI4094	Available
	3.93	11303	445.16	1.21	3800	2400	4	HI4084	Available
	3.92	11334	446.41	3.36	6500	5350	4	HI4104	Available
	3.57	12459	490.71	2.13	4460	3440	4	HI4094	Available
	3.32	13400	527.77	2.84	6500	5350	4	HI4104	Available
↓	3.26	13626	536.67	1.01	3800	2400	4	HI4084	Available

* Integral Gearmotors - Specify Mounting Type I or K, and motor horsepower (See page I-6).

* Motorized Reducers - Specify Mounting Type E or G, and Motor Part number (See Section H)

All torque values listed in inch-pounds, all overhung load and thrust load values listed in pounds.

The point of application of OHL is considered to be applied at the midpoint of shaft extension.

OHL and thrust ratings cannot be applied simultaneously. Consult the factory for applications with combined OHL and thrust load.

At speeds above 1750 RPM, units may become thermally limited. For extended operation, limit HP to 1750 RPM rating.

HUB CITY POWERATIO® 4000 – HIGH EFFICIENCY HELICAL IN-LINE DRIVES

Selection By Input H.P. @ 1750 RPM

HP	Output Speed	Output Torque	Ratio	Service Factor	Output OHL	Output Thrust	Gear Stages	Model*	Integral Gearmotor	
3/4	3.15	14088	554.88	1.89	4460	3440	4	HI4094		
	2.77	16022	631.04	1.66	4460	3440	4	HI4094		
	2.75	16155	636.26	2.36	6500	5350	4	HI4104		
	2.67	16656	656.02	1.60	4460	3440	4	HI4094		
	2.49	17839	702.58	2.14	6500	5350	4	HI4104		
	2.17	20509	807.76	1.30	4460	3440	4	HI4094		
	2.12	20978	826.21	1.82	6500	5350	4	HI4104		
	1.95	22767	896.70	1.67	6500	5350	4	HI4104		
	1.79	24874	979.66	1.07	4460	3440	4	HI4094		
	1.75	25339	997.98	1.50	6500	5350	4	HI4104		
	1.71	25985	1023.44	1.47	6500	5350	4	HI4104		
	1.56	28425	1119.52	1.34	6500	5350	4	HI4104		
	1.38	32196	1268.07	1.18	6500	5350	4	HI4104		
	1.24	35770	1408.82	1.07	6500	5350	4	HI4104		
	1.20	36911	1453.75	1.03	6500	5350	4	HI4104		
	1	731	83	2.39	4.63	200	260	2	HI4032	Available
		665	91	2.63	11.22	530	610	2	HI4042	Available
		609	99	2.87	4.20	200	270	2	HI4032	
593		102	2.95	10.39	550	630	2	HI4042	Available	
529		114	3.31	9.61	570	650	2	HI4042	Available	
470		129	3.72	9.10	580	660	2	HI4042	Available	
435		139	4.02	3.49	210	300	2	HI4032	Available	
416		146	4.21	8.79	590	650	2	HI4042	Available	
366		165	4.78	7.75	620	690	2	HI4042	Available	
360		168	4.86	3.17	280	340	2	HI4032	Available	
320		189	5.47	6.77	650	730	2	HI4042	Available	
300		202	5.84	2.86	300	360	2	HI4032		
298		203	5.87	6.31	680	780	2	HI4042	Available	
285		212	6.13	6.79	710	840	2	HI4042	Available	
262		231	6.67	2.44	350	400	2	HI4032	Available	
255		237	6.86	6.16	740	880	2	HI4042	Available	
248		244	7.06	2.51	220	350	2	HI4032	Available	
227		266	7.70	5.56	770	920	2	HI4042	Available	
214		282	8.17	2.00	410	440	2	HI4032	Available	
202		300	8.66	2.17	240	370	2	HI4032	Available	
179		339	9.80	4.75	820	980	2	HI4042	Available	
173		349	10.09	1.86	290	410	2	HI4032		
157		385	11.14	4.41	850	1010	2	HI4042	Available	
156		388	11.21	1.77	400	470	2	HI4032	Available	
146		413	11.96	1.55	360	450	2	HI4032	Available	
137		440	12.74	3.95	890	1060	2	HI4042	Available	
128		473	13.67	3.77	920	1100	2	HI4042	Available	
122		495	14.33	1.37	420	470	2	HI4032	Available	
105		576	16.66	3.13	980	1250	2	HI4042	Available	
99		608	17.59	1.15	420	470	2	HI4032	Available	
89		680	19.67	1.05	420	470	2	HI4032	Available	
88		691	20.00	5.83	1600	1400	2	HI4062	Available	
85		708	20.49	1.03	420	470	2	HI4032		
84		718	20.77	2.52	1050	1250	2	HI4042	Available	
70		866	25.04	2.10	1150	1250	2	HI4042	Available	
64		938	27.14	4.33	1600	1400	2	HI4062	Available	
61	995	28.79	1.84	1150	1250	2	HI4042	Available		

* Integral Gearmotors - Specify Mounting Type I or K, and motor horsepower (See page I-6).

* Motorized Reducers - Specify Mounting Type E or G, and Motor Part number (See Section H)

All torque values listed in inch-pounds, all overhung load and thrust load values listed in pounds.

The point of application of OHL is considered to be applied at the midpoint of shaft extension.

OHL and thrust ratings cannot be applied simultaneously. Consult the factory for applications with combined OHL and thrust load.

At speeds above 1750 RPM, units may become thermally limited. For extended operation, limit HP to 1750 RPM rating.

HUB CITY POWERATIO® 4000 – HIGH EFFICIENCY HELICAL IN-LINE DRIVES

Selection By Input H.P. @ 1750 RPM

HP	Output Speed	Output Torque	Ratio	Service Factor	Output OHL	Output Thrust	Gear Stages	Model*	Integral Gearmotor
1	9.4	6318	186.62	2.17	3800	2400	3	HI4083	Available
	9.2	6425	189.79	1.13	2240	1620	3	HI4073	
	8.5	6933	204.80	1.98	3800	2400	3	HI4083	Available
	7.8	7557	223.22	3.52	4460	3440	3	HI4093	
	7.7	7660	226.28	1.79	3800	2400	3	HI4083	Available
	7.6	7750	228.92	1.77	3800	2400	3	HI4083	Available
	7.5	7936	234.41	3.35	4460	3440	3	HI4093	
	7.1	8396	248.00	3.17	4460	3440	3	HI4093	
	6.7	8826	260.72	1.55	3800	2400	3	HI4083	Available
	6.19	9570	282.68	2.78	4460	3440	3	HI4093	
	6.17	9600	283.57	1.43	3800	2400	3	HI4083	Available
	5.64	10502	310.23	1.30	3800	2400	4	HI4084	
	5.57	10632	314.06	2.50	4460	3440	3	HI4093	
	5.42	10933	322.95	1.25	3800	2400	3	HI4083	Available
	5.33	11107	328.09	3.43	6500	5350	3	HI4103	
	4.98	11892	351.29	1.15	3800	2400	4	HI4084	
	4.90	12100	357.43	2.20	4460	3440	4	HI4094	
	4.89	12105	357.56	3.15	6500	5350	4	HI4104	
	4.40	13472	397.95	2.83	6500	5350	4	HI4104	
	4.37	13552	400.30	1.01	3800	2400	4	HI4084	
	3.99	14835	438.20	1.79	4460	3440	4	HI4094	
	3.92	15113	446.41	2.52	6500	5350	4	HI4104	
	3.57	16612	490.71	1.60	4460	3440	4	HI4094	
	3.32	17867	527.77	2.13	6500	5350	4	HI4104	
	3.15	18785	554.88	1.42	4460	3440	4	HI4094	
	2.77	21363	631.04	1.25	4460	3440	4	HI4094	
	2.75	21540	636.26	1.77	6500	5350	4	HI4104	
	2.67	22209	656.02	1.20	4460	3440	4	HI4094	
	2.49	23785	702.58	1.60	6500	5350	4	HI4104	
	2.12	27970	826.21	1.36	6500	5350	4	HI4104	
	1.95	30356	896.70	1.26	6500	5350	4	HI4104	
	1.75	33785	997.98	1.13	6500	5350	4	HI4104	
1.71	34647	1023.44	1.10	6500	5350	4	HI4104		
1.56	37900	1119.52	1.01	6500	5350	4	HI4104		
1.5	731	124	2.39	3.08	200	260	2	HI4032	Available
	681	133	2.57	12.38	960	890	2	HI4062	Available
	665	136	2.63	7.48	530	610	2	HI4042	Available
	609	149	2.87	2.80	200	270	2	HI4032	
	593	153	2.95	6.93	550	630	2	HI4042	Available
	529	172	3.31	6.41	570	650	2	HI4042	Available
	470	193	3.72	6.06	580	660	2	HI4042	Available
	435	209	4.02	2.33	210	300	2	HI4032	Available
	416	218	4.21	5.86	590	650	2	HI4042	Available
	366	248	4.78	5.16	620	690	2	HI4042	Available
	360	252	4.86	2.11	280	340	2	HI4032	Available
	320	284	5.47	4.51	650	730	2	HI4042	Available
	300	303	5.84	1.91	300	360	2	HI4032	
	298	304	5.87	4.20	680	780	2	HI4042	Available
	285	318	6.13	4.53	710	840	2	HI4042	Available
	262	346	6.67	1.63	350	400	2	HI4032	Available
	255	356	6.86	4.10	740	880	2	HI4042	Available
	248	366	7.06	1.67	220	350	2	HI4032	Available
227	399	7.70	3.71	770	920	2	HI4042	Available	

* Integral Gearmotors - Specify Mounting Type I or K, and motor horsepower (See page I-6).

* Motorized Reducers - Specify Mounting Type E or G, and Motor Part number (See Section H)

All torque values listed in inch-pounds, all overhung load and thrust load values listed in pounds.

The point of application of OHL is considered to be applied at the midpoint of shaft extension.

OHL and thrust ratings cannot be applied simultaneously. Consult the factory for applications with combined OHL and thrust load.

At speeds above 1750 RPM, units may become thermally limited. For extended operation, limit HP to 1750 RPM rating.

Selection By Input H.P. @ 1750 RPM

HP	Output Speed	Output Torque	Ratio	Service Factor	Output OHL	Output Thrust	Gear Stages	Model*	Integral Gearmotor
1.5	15.9	5600	110.28	2.45	3800	2400	3	HI4083	Available
	13.9	6400	126.03	2.14	3800	2400	3	HI4083	Available
	13.5	6601	130.00	1.10	2240	1620	3	HI4073	Available
	13.1	6767	133.26	3.93	4460	3440	3	HI4093	Available
	13.1	6781	133.53	1.07	2240	1620	3	HI4073	Available
	12.9	6871	135.30	1.99	3800	2400	3	HI4083	Available
	12.7	7012	138.08	1.95	3800	2400	3	HI4083	Available
	11.6	7651	150.66	1.79	3800	2400	3	HI4083	Available
	11.1	7980	157.15	3.33	4460	3440	3	HI4093	Available
	11.1	8000	157.54	1.71	3800	2400	3	HI4083	Available
	10.9	8158	160.66	3.26	4460	3440	3	HI4093	Available
	10.6	8395	165.33	1.63	3800	2400	3	HI4083	Available
	10.2	8685	171.04	1.58	3800	2400	3	HI4083	Available
	9.6	9277	182.68	1.48	3800	2400	3	HI4083	Available
	9.5	9399	185.09	2.83	4460	3440	3	HI4093	Available
	9.4	9477	186.62	1.45	3800	2400	3	HI4083	Available
	8.8	10105	198.99	2.63	4460	3440	3	HI4093	Available
	8.5	10400	204.80	1.32	3800	2400	3	HI4083	Available
	7.8	11335	223.22	2.35	4460	3440	3	HI4093	Available
	7.7	11491	226.28	1.19	3800	2400	3	HI4083	Available
	7.6	11625	228.92	1.18	3800	2400	3	HI4083	Available
	7.5	11903	234.41	2.23	4460	3440	3	HI4093	Available
	7.1	12593	248.00	2.11	4460	3440	3	HI4093	Available
	6.8	13079	257.56	2.91	6500	5350	3	HI4103	Available
	6.7	13239	260.72	1.03	3800	2400	3	HI4083	Available
	6.2	14355	282.68	1.85	4460	3440	3	HI4093	Available
	6.1	14531	286.15	2.62	6500	5350	3	HI4103	Available
	5.93	14996	295.31	2.54	6500	5350	3	HI4103	Available
	5.57	15948	314.06	1.67	4460	3440	3	HI4093	Available
	5.33	16660	328.09	2.29	6500	5350	3	HI4103	Available
	4.90	18150	357.43	1.47	4460	3440	4	HI4094	Available
	4.89	18157	357.56	2.10	6500	5350	4	HI4104	Available
	4.40	20208	397.95	1.89	6500	5350	4	HI4104	Available
	3.99	22252	438.20	1.20	4460	3440	4	HI4094	Available
3.92	22669	446.41	1.68	6500	5350	4	HI4104	Available	
3.57	24918	490.71	1.07	4460	3440	4	HI4094	Available	
3.32	26800	527.77	1.42	6500	5350	4	HI4104	Available	
2.75	32309	636.26	1.18	6500	5350	4	HI4104	Available	
2.49	35677	702.58	1.07	6500	5350	4	HI4104	Available	
2	731	166	2.39	2.31	200	260	2	HI4032	Available
	681	178	2.57	9.28	960	890	2	HI4062	Available
	665	182	2.63	5.61	530	610	2	HI4042	Available
	609	199	2.87	2.10	200	270	2	HI4032	Available
	593	204	2.95	5.20	550	630	2	HI4042	Available
	568	213	3.08	8.26	1010	930	2	HI4062	Available
	529	229	3.31	4.81	570	650	2	HI4042	Available
	470	257	3.72	4.55	580	660	2	HI4042	Available
	449	270	3.90	6.97	1090	1000	2	HI4062	Available
	435	278	4.02	1.75	210	300	2	HI4032	Available
	416	291	4.21	4.40	590	650	2	HI4042	Available
	387	313	4.52	6.30	1140	1050	2	HI4062	Available
	366	331	4.78	3.87	620	690	2	HI4042	Available

* Integral Gearmotors - Specify Mounting Type I or K, and motor horsepower (See page I-6).

* Motorized Reducers - Specify Mounting Type E or G, and Motor Part number (See Section H)

All torque values listed in inch-pounds, all overhung load and thrust load values listed in pounds.

The point of application of OHL is considered to be applied at the midpoint of shaft extension.

OHL and thrust ratings cannot be applied simultaneously. Consult the factory for applications with combined OHL and thrust load.

At speeds above 1750 RPM, units may become thermally limited. For extended operation, limit HP to 1750 RPM rating.

Selection By Input H.P. @ 1750 RPM

HP	Output Speed	Output Torque	Ratio	Service Factor	Output OHL	Output Thrust	Gear Stages	Model*	Integral Gearmotor
↑	360	336	4.86	1.59	280	340	2	HI4032	Available
	320	378	5.47	3.38	650	730	2	HI4042	Available
	300	404	5.84	1.43	300	360	2	HI4032	
	298	406	5.87	3.15	680	780	2	HI4042	Available
	285	424	6.13	3.40	710	840	2	HI4042	Available
	262	461	6.67	1.22	350	400	2	HI4032	Available
	255	474	6.86	3.08	740	880	2	HI4042	Available
	248	488	7.06	1.25	220	350	2	HI4032	Available
	244	495	7.16	6.75	1180	990	2	HI4062	Available
	227	532	7.70	2.78	770	920	2	HI4042	Available
	214	565	8.17	1.00	410	440	2	HI4032	Available
	202	599	8.66	1.08	240	370	2	HI4032	Available
	202	600	8.67	2.59	790	950	2	HI4042	Available
	193	626	9.06	5.51	1290	1110	2	HI4062	Available
	179	678	9.80	2.38	820	980	2	HI4042	Available
	157	770	11.14	2.21	850	1010	2	HI4042	Available
	137	881	12.74	1.98	890	1060	2	HI4042	Available
	136	891	12.88	5.40	1700	1500	2	HI4662	Available
	128	945	13.67	1.88	920	1100	2	HI4042	Available
	127	951	13.75	4.11	1470	1260	2	HI4062	Available
	107	1136	16.43	3.52	1560	1370	2	HI4062	Available
	105	1152	16.66	1.56	980	1250	2	HI4042	Available
	100	1210	17.50	3.31	1600	1400	2	HI4062	Available
	96	1262	18.25	4.12	1700	1500	2	HI4662	Available
	88	1383	20.00	2.91	1600	1400	2	HI4062	Available
2	84	1436	20.77	1.26	1050	1250	2	HI4042	Available
	82	1485	21.47	2.72	1600	1400	2	HI4062	Available
	81	1497	21.65	3.49	1700	1500	2	HI4662	Available
	70	1729	25.00	2.34	1600	1400	2	HI4062	Available
	70	1731	25.04	1.05	1150	1250	2	HI4042	Available
	67	1811	26.19	2.90	1700	1500	2	HI4662	Available
	64	1877	27.14	2.16	1600	1400	2	HI4062	Available
	59	2048	29.62	1.99	1600	1400	2	HI4062	Available
	56	2179	31.51	3.33	2200	1620	2	HI4072	Available
	54	2247	32.50	1.82	1600	1400	2	HI4062	Available
	54	2249	32.53	2.36	1700	1500	2	HI4662	Available
	49	2483	35.91	1.65	1600	1400	2	HI4062	Available
	47	2566	37.11	2.83	2230	1620	2	HI4072	
	46	2655	38.39	2.00	1700	1500	2	HI4662	
	39	3094	44.75	2.35	2240	1620	2	HI4072	
	39	3112	45.00	1.32	1600	1400	2	HI4062	Available
	38	3207	46.38	1.67	1700	1500	2	HI4662	
	35	3438	49.72	2.11	2240	1620	2	HI4072	
	34	3444	50.87	2.11	2240	1620	3	HI4073	Available
	34	3544	51.25	1.16	1600	1400	2	HI4062	Available
	34	3566	51.57	1.50	1700	1500	2	HI4662	
	33	3622	53.50	3.78	3800	2400	3	HI4083	
	31	3774	55.74	1.92	2240	1620	3	HI4073	Available
	31	3777	55.79	1.09	1600	1400	3	HI4063	Available
	31	3812	56.30	1.37	1700	1500	3	HI4663	Available
	31	3867	57.11	3.54	3800	2400	3	HI4083	Available
	30	3914	57.81	1.85	2240	1620	3	HI4073	Available
	29.0	4089	60.40	1.31	1700	1500	3	HI4663	Available
↓	27.8	4266	63.01	1.70	2240	1620	3	HI4073	Available

* Integral Gearmotors - Specify Mounting Type I or K, and motor horsepower (See page I-6).

* Motorized Reducers - Specify Mounting Type E or G, and Motor Part number (See Section H)

All torque values listed in inch-pounds, all overhung load and thrust load values listed in pounds.

The point of application of OHL is considered to be applied at the midpoint of shaft extension.

OHL and thrust ratings cannot be applied simultaneously. Consult the factory for applications with combined OHL and thrust load.

At speeds above 1750 RPM, units may become thermally limited. For extended operation, limit HP to 1750 RPM rating.

HUB CITY POWERATIO® 4000 – HIGH EFFICIENCY HELICAL IN-LINE DRIVES

Selection By Input H.P. @ 1750 RPM

HP	Output Speed	Output Torque	Ratio	Service Factor	Output OHL	Output Thrust	Gear Stages	Model*	Integral Gearmotor
↑	26.9	4406	65.07	1.22	1700	1500	3	HI4663	Available
	26.5	4477	66.13	1.62	2240	1620	3	HI4073	Available
	26.4	4487	66.27	3.05	3800	2400	3	HI4083	
	25.0	4736	69.95	2.89	3800	2400	3	HI4083	Available
	24.7	4804	70.95	1.51	2240	1620	3	HI4073	Available
	24.4	4848	71.61	1.50	2240	1620	3	HI4073	Available
	23.7	5006	73.94	1.07	1700	1500	3	HI4663	Available
	21.4	5547	81.92	1.31	2240	1620	3	HI4073	Available
	20.9	5659	83.58	2.42	3800	2400	3	HI4083	Available
	20.2	5855	86.48	1.24	2240	1620	3	HI4073	Available
	20.2	5867	86.65	2.34	3800	2400	3	HI4083	Available
	19.9	5951	87.89	1.22	2240	1620	3	HI4073	Available
	19.7	6028	89.03	2.27	3800	2400	3	HI4083	Available
	16.9	7010	103.53	1.95	3800	2400	3	HI4083	Available
	16.6	7125	105.23	3.73	4460	3440	3	HI4093	Available
	16.3	7253	107.12	1.00	2240	1620	3	HI4073	Available
	15.9	7467	110.28	1.83	3800	2400	3	HI4083	Available
	15.5	7632	112.72	3.49	4460	3440	3	HI4093	Available
	13.9	8533	126.03	1.61	3800	2400	3	HI4083	Available
	13.8	8590	126.87	3.10	4460	3440	3	HI4093	Available
	13.1	9023	133.26	2.95	4460	3440	3	HI4093	Available
	12.9	9161	135.30	1.50	3800	2400	3	HI4083	Available
	12.7	9349	138.08	1.47	3800	2400	3	HI4083	Available
	12.0	9912	146.39	3.84	6500	5350	3	HI4103	
2	11.6	10201	150.66	1.34	3800	2400	3	HI4083	Available
	11.1	10640	157.15	2.50	4460	3440	3	HI4093	Available
	11.1	10667	157.54	1.28	3800	2400	3	HI4083	Available
	10.9	10878	160.66	2.45	4460	3440	3	HI4093	Available
	10.6	11194	165.33	1.22	3800	2400	3	HI4083	Available
	10.4	11365	167.85	3.35	6500	5350	3	HI4103	
	10.2	11581	171.04	1.18	3800	2400	3	HI4083	Available
	9.7	12277	181.32	3.10	6500	5350	3	HI4103	
	9.6	12369	182.68	1.11	3800	2400	3	HI4083	Available
	9.5	12532	185.09	2.12	4460	3440	3	HI4093	
	9.4	12635	186.62	1.08	3800	2400	3	HI4083	Available
	8.8	13473	198.99	1.97	4460	3440	3	HI4093	Available
	8.4	14076	207.90	2.71	6500	5350	3	HI4103	
	7.8	15114	223.22	1.76	4460	3440	3	HI4093	
	7.5	15871	234.41	1.68	4460	3440	3	HI4093	
	7.1	16791	248.00	1.58	4460	3440	3	HI4093	
	6.8	17439	257.56	2.18	6500	5350	3	HI4103	
	6.2	19139	282.68	1.39	4460	3440	3	HI4093	
	6.1	19374	286.15	1.97	6500	5350	3	HI4103	
	5.93	19995	295.31	1.91	6500	5350	3	HI4103	
	5.57	21264	314.06	1.25	4460	3440	3	HI4093	
	5.33	22214	328.09	1.72	6500	5350	3	HI4103	
	4.90	24200	357.43	1.10	4460	3440	4	HI4094	
	4.89	24209	357.56	1.57	6500	5350	4	HI4104	
	4.40	26944	397.95	1.41	6500	5350	4	HI4104	
	3.92	30225	446.41	1.26	6500	5350	4	HI4104	
↓	3.32	35734	527.77	1.07	6500	5350	4	HI4104	

* Integral Gearmotors - Specify Mounting Type I or K, and motor horsepower (See page I-6).

* Motorized Reducers - Specify Mounting Type E or G, and Motor Part number (See Section H)

All torque values listed in inch-pounds, all overhung load and thrust load values listed in pounds.

The point of application of OHL is considered to be applied at the midpoint of shaft extension.

OHL and thrust ratings cannot be applied simultaneously. Consult the factory for applications with combined OHL and thrust load.

At speeds above 1750 RPM, units may become thermally limited. For extended operation, limit HP to 1750 RPM rating.

Selection By Input H.P. @ 1750 RPM

HP	Output Speed	Output Torque	Ratio	Service Factor	Output OHL	Output Thrust	Gear Stages	Model*	Integral Gearmotor
↑	732	248	2.39	9.52	1280	1400	2	HI4072	Available
	731	248	2.39	1.54	200	260	2	HI4032	
	726	250	2.41	8.96	1230	1160	2	HI4662	Available
	681	267	2.57	6.19	960	890	2	HI4062	Available
	665	273	2.63	3.74	530	610	2	HI4042	Available
	609	298	2.87	1.40	200	270	2	HI4032	
	593	306	2.95	3.46	550	630	2	HI4042	Available
	568	319	3.08	5.51	1010	930	2	HI4062	Available
	529	343	3.31	3.20	570	650	2	HI4042	Available
	470	386	3.72	3.03	580	660	2	HI4042	Available
	449	405	3.90	4.65	1090	1000	2	HI4062	Available
	435	417	4.02	1.16	210	300	2	HI4032	
	432	420	4.05	6.57	1420	1320	2	HI4662	Available
	416	437	4.21	2.93	590	650	2	HI4042	Available
	387	469	4.52	4.20	1140	1050	2	HI4062	Available
	366	496	4.78	2.58	620	690	2	HI4042	Available
	360	504	4.86	1.06	280	340	2	HI4032	
	331	548	5.28	5.42	1540	1430	2	HI4662	Available
	320	567	5.47	2.26	650	730	2	HI4042	Available
	298	609	5.87	2.10	680	780	2	HI4042	Available
	293	620	5.98	5.26	1080	870	2	HI4062	Available
	285	636	6.13	2.26	710	840	2	HI4042	Available
	265	686	6.61	5.47	1640	1500	2	HI4662	Available
	255	712	6.86	2.05	740	880	2	HI4042	Available
	244	743	7.16	4.50	1180	990	2	HI4062	Available
	235	772	7.44	5.09	1690	1500	2	HI4662	Available
	227	799	7.70	1.85	770	920	2	HI4042	Available
	217	835	8.05	5.01	1700	1500	2	HI4662	Available
	202	899	8.67	1.72	790	950	2	HI4042	Available
	193	940	9.06	3.67	1290	1110	2	HI4062	Available
	192	944	9.10	4.56	1700	1500	2	HI4662	Available
	179	1016	9.80	1.58	820	980	2	HI4042	Available
	177	1026	9.89	4.32	1700	1500	2	HI4662	Available
	166	1091	10.52	3.37	1340	1140	2	HI4062	Available
	157	1155	11.14	1.47	850	1010	2	HI4042	Available
	156	1167	11.25	3.99	1700	1500	2	HI4662	Available
137	1321	12.74	1.32	890	1060	2	HI4042	Available	
136	1336	12.88	3.60	1700	1500	2	HI4662	Available	
128	1418	13.67	1.26	920	1100	2	HI4042	Available	
127	1426	13.75	2.74	1470	1260	2	HI4062	Available	
112	1619	15.61	3.11	1700	1500	2	HI4662	Available	
107	1704	16.43	2.35	1560	1370	2	HI4062	Available	
105	1728	16.66	1.04	980	1250	2	HI4042	Available	
100	1815	17.50	2.21	1600	1400	2	HI4062	Available	
98	1851	17.85	3.73	2030	1620	2	HI4072	Available	
96	1893	18.25	2.75	1700	1500	2	HI4662	Available	
88	2074	20.00	1.94	1600	1400	2	HI4062	Available	
83	2189	21.10	3.32	2120	1620	2	HI4072	Available	
82	2227	21.47	1.81	1600	1400	2	HI4062	Available	
81	2246	21.65	2.33	1700	1500	2	HI4662	Available	
70	2593	25.00	1.56	1600	1400	2	HI4062	Available	
69	2639	25.44	2.75	2150	1620	2	HI4072	Available	
67	2716	26.19	1.94	1700	1500	2	HI4662	Available	
64	2815	27.14	1.44	1600	1400	2	HI4062	Available	
↓									

* Integral Gearmotors - Specify Mounting Type I or K, and motor horsepower (See page I-6).

* Motorized Reducers - Specify Mounting Type E or G, and Motor Part number (See Section H)

All torque values listed in inch-pounds, all overhung load and thrust load values listed in pounds.

The point of application of OHL is considered to be applied at the midpoint of shaft extension.

OHL and thrust ratings cannot be applied simultaneously. Consult the factory for applications with combined OHL and thrust load.

At speeds above 1750 RPM, units may become thermally limited. For extended operation, limit HP to 1750 RPM rating.

HUB CITY POWERATIO® 4000 – HIGH EFFICIENCY HELICAL IN-LINE DRIVES

Selection By Input H.P. @ 1750 RPM

HP	Output Speed	Output Torque	Ratio	Service Factor	Output OHL	Output Thrust	Gear Stages	Model*	Integral Gearmotor	
↑	59	3072	29.62	1.32	1600	1400	2	HI4062	Available	
	56	3268	31.51	2.22	2200	1620	2	HI4072		
	54	3371	32.50	1.21	1600	1400	2	HI4062		
	54	3374	32.53	1.57	1700	1500	2	HI4662		
	49	3725	35.91	1.10	1600	1400	2	HI4062		
	47	3849	37.11	1.89	2230	1620	2	HI4072		
	46	3971	38.29	5.84	3370	3440	2	HI4092		
	46	3982	38.39	1.34	1700	1500	2	HI4662		
	39	4642	44.75	2.88	3800	2400	2	HI4082		
	39	4642	44.75	1.56	2240	1620	2	HI4072		
	38	4811	46.38	1.11	1700	1500	2	HI4662		
	35	5157	49.72	2.60	3800	2400	2	HI4082		
	35	5157	49.72	1.41	2240	1620	2	HI4072		
	34	5166	50.87	1.41	2240	1620	3	HI4073		
	34	5349	51.57	1.00	1700	1500	2	HI4662		
	33	5433	53.50	2.52	3800	2400	3	HI4083		
	31	5661	55.74	1.28	2240	1620	3	HI4073		
	31	5800	57.11	2.36	3800	2400	3	HI4083		
	30	5871	57.81	1.24	2240	1620	3	HI4073		
	29.2	6209	59.86	3.77	3370	3440	2	HI4092		
	28.1	6316	62.19	4.21	4460	3440	3	HI4093		
	27.8	6399	63.01	1.13	2240	1620	3	HI4073		
	27.6	6436	63.37	4.13	4460	3440	3	HI4093		
	26.5	6716	66.13	1.08	2240	1620	3	HI4073		
	26.4	6730	66.27	2.04	3800	2400	3	HI4083		
	3	26.1	6956	67.06	3.36	3370	3440	2		HI4092
	25.0	7104	69.95	1.93	3800	2400	3	HI4083		
	24.9	7152	70.42	3.72	4460	3440	3	HI4093		
	24.8	7162	70.52	5.32	6300	5350	3	HI4103		
	24.7	7206	70.95	1.01	2240	1620	3	HI4073		
24.4	7273	71.61	1.00	2240	1620	3	HI4073			
23.9	7426	73.12	5.13	6300	5350	3	HI4103			
21.8	8149	80.24	3.26	4460	3440	3	HI4093			
20.9	8488	83.58	1.61	3800	2400	3	HI4083			
20.9	8515	83.84	4.47	6500	5350	3	HI4103			
20.2	8800	86.65	1.56	3800	2400	3	HI4083			
19.7	9040	89.01	2.94	4460	3440	3	HI4093			
19.7	9042	89.03	1.52	3800	2400	3	HI4083			
17.0	10430	102.70	3.65	6500	5350	3	HI4103			
16.9	10515	103.53	1.30	3800	2400	3	HI4083			
16.6	10687	105.23	2.49	4460	3440	3	HI4093			
15.9	11200	110.28	1.22	3800	2400	3	HI4083			
15.5	11448	112.72	2.32	4460	3440	3	HI4093			
14.9	11960	117.76	3.19	6500	5350	3	HI4103			
14.4	12332	121.43	3.09	6500	5350	3	HI4103			
13.9	12800	126.03	1.07	3800	2400	3	HI4083			
13.8	12885	126.87	2.06	4460	3440	3	HI4093			
13.1	13534	133.26	1.97	4460	3440	3	HI4093			
12.9	13741	135.30	1.00	3800	2400	3	HI4083			
12.6	14140	139.23	2.69	6500	5350	3	HI4103			
12.0	14867	146.39	2.56	6500	5350	3	HI4103			
11.1	15960	157.15	1.67	4460	3440	3	HI4093			
10.9	16317	160.66	1.63	4460	3440	3	HI4093			
10.4	17047	167.85	2.24	6500	5350	3	HI4103			

* Integral Gearmotors - Specify Mounting Type I or K, and motor horsepower (See page I-6).

* Motorized Reducers - Specify Mounting Type E or G, and Motor Part number (See Section H)

All torque values listed in inch-pounds, all overhung load and thrust load values listed in pounds.

The point of application of OHL is considered to be applied at the midpoint of shaft extension.

OHL and thrust ratings cannot be applied simultaneously. Consult the factory for applications with combined OHL and thrust load.

At speeds above 1750 RPM, units may become thermally limited. For extended operation, limit HP to 1750 RPM rating.

Selection By Input H.P. @ 1750 RPM

HP	Output Speed	Output Torque	Ratio	Service Factor	Output OHL	Output Thrust	Gear Stages	Model*	Integral Gearmotor	
3	9.7	18415	181.32	2.07	6500	5350	3	HI4103	Available	
	9.5	18798	185.09	1.42	4460	3440	3	HI4093		
	8.8	20209	198.99	1.32	4460	3440	3	HI4093	Available	
	8.4	21114	207.90	1.80	6500	5350	3	HI4103		
	7.8	22670	223.22	1.17	4460	3440	3	HI4093	Available	
	7.5	23807	234.41	1.12	4460	3440	3	HI4093		
	7.1	25187	248.00	1.06	4460	3440	3	HI4093	Available	
	6.8	26158	257.56	1.46	6500	5350	3	HI4103		
	6.1	29061	286.15	1.31	6500	5350	3	HI4103	Available	
	5.93	29992	295.31	1.27	6500	5350	3	HI4103		
	5.33	33321	328.09	1.14	6500	5350	3	HI4103	Available	
	4.89	36314	357.56	1.05	6500	5350	4	HI4104		
	5	732	413	2.39	5.71	1280	1400	2	HI4072	Available
		726	417	2.41	5.38	1230	1160	2	HI4662	
681		444	2.57	3.71	960	890	2	HI4062	Available	
665		455	2.63	2.24	530	610	2	HI4042		
655		462	2.67	5.70	1340	1500	2	HI4072	Available	
646		468	2.71	5.04	1270	1190	2	HI4662		
593		510	2.95	2.08	550	630	2	HI4042	Available	
585		517	2.99	5.44	1350	1580	2	HI4072		
574		527	3.05	4.70	1310	1220	2	HI4662	Available	
568		532	3.08	3.31	1010	930	2	HI4062		
543		557	3.22	5.10	1350	1580	2	HI4072	Available	
530		570	3.30	4.52	1330	1240	2	HI4662		
529		572	3.31	1.92	570	650	2	HI4042	Available	
483		626	3.62	4.60	1450	1580	2	HI4072		
470		643	3.72	1.82	580	660	2	HI4042	Available	
469		645	3.73	4.17	1370	1260	2	HI4662		
449		674	3.90	2.79	1090	1000	2	HI4062	Available	
446		678	3.92	4.37	1550	1580	2	HI4072		
432		700	4.05	3.94	1420	1320	2	HI4662	Available	
416		728	4.21	1.76	590	650	2	HI4042		
394		768	4.44	4.00	1620	1580	2	HI4072	Available	
387		781	4.52	2.52	1140	1050	2	HI4062		
380		797	4.61	3.60	1470	1360	2	HI4662	Available	
366		826	4.78	1.55	620	690	2	HI4042		
346		875	5.06	3.66	1640	1580	2	HI4072	Available	
331		913	5.28	3.25	1540	1430	2	HI4662		
320		946	5.47	1.35	650	730	2	HI4042	Available	
298		1015	5.87	1.26	680	780	2	HI4042		
298		1016	5.88	3.62	1550	1430	2	HI4662	Available	
293		1034	5.98	3.15	1080	870	2	HI4062		
291		1039	6.01	5.03	1685	1580	2	HI4072	Available	
285		1060	6.13	1.36	710	840	2	HI4042		
265		1143	6.61	3.28	1640	1500	2	HI4662	Available	
261		1160	6.71	4.66	1685	1580	2	HI4072		
255		1186	6.86	1.23	740	880	2	HI4042	Available	
244		1238	7.16	2.70	1180	990	2	HI4062		
235		1286	7.44	3.06	1690	1500	2	HI4662	Available	
233		1297	7.50	4.29	1685	1580	2	HI4072		
227		1331	7.70	1.11	770	920	2	HI4042	Available	
217		1392	8.05	3.00	1700	1500	2	HI4662		
216		1399	8.09	4.06	1685	1580	2	HI4072	Available	

* Integral Gearmotors - Specify Mounting Type I or K, and motor horsepower (See page I-6).

* Motorized Reducers - Specify Mounting Type E or G, and Motor Part number (See Section H)

All torque values listed in inch-pounds, all overhung load and thrust load values listed in pounds.

The point of application of OHL is considered to be applied at the midpoint of shaft extension.

OHL and thrust ratings cannot be applied simultaneously. Consult the factory for applications with combined OHL and thrust load.

At speeds above 1750 RPM, units may become thermally limited. For extended operation, limit HP to 1750 RPM rating.

HUB CITY POWERATIO® 4000 – HIGH EFFICIENCY HELICAL IN-LINE DRIVES

Selection By Input H.P. @ 1750 RPM

HP	Output Speed	Output Torque	Ratio	Service Factor	Output OHL	Output Thrust	Gear Stages	Model*	Integral Gearmotor
↑	202	1499	8.67	1.03	790	950	2	HI4042	Available
	193	1566	9.06	2.20	1290	1110	2	HI4062	Available
	192	1573	9.10	2.73	1700	1500	2	HI4662	
	178	1703	9.85	3.52	1710	1580	2	HI4072	Available
	177	1710	9.89	2.59	1700	1500	2	HI4662	Available
	166	1819	10.52	2.02	1340	1140	2	HI4062	Available
	157	1927	11.15	3.14	1780	1580	2	HI4072	
	156	1945	11.25	2.40	1700	1500	2	HI4662	
	138	2197	12.71	2.90	1830	1580	2	HI4072	Available
	136	2227	12.88	2.16	1700	1500	2	HI4662	Available
	127	2377	13.75	1.64	1470	1260	2	HI4062	Available
	112	2698	15.61	1.86	1700	1500	2	HI4662	
	107	2840	16.43	1.41	1560	1370	2	HI4062	Available
	100	3025	17.50	1.33	1600	1400	2	HI4062	Available
	98	3086	17.85	2.24	2030	1620	2	HI4072	Available
	96	3155	18.25	1.65	1700	1500	2	HI4662	Available
	88	3457	20.00	1.17	1600	1400	2	HI4062	Available
	83	3648	21.10	3.64	2750	1950	2	HI4082	Available
	83	3648	21.10	1.99	2120	1620	2	HI4072	Available
	82	3711	21.47	1.09	1600	1400	2	HI4062	Available
	81	3743	21.65	1.40	1700	1500	2	HI4662	Available
	69	4398	25.44	3.02	3000	2400	2	HI4082	Available
	69	4398	25.44	1.65	2150	1620	2	HI4072	Available
	67	4527	26.19	1.16	1700	1500	2	HI4662	Available
	56	5447	31.51	2.45	3400	2400	2	HI4082	Available
	56	5447	31.51	1.33	2200	1620	2	HI4072	Available
	47	6415	37.11	1.13	2230	1620	2	HI4072	
	46	6619	38.29	3.50	3370	3440	2	HI4092	
	39	7736	44.75	1.73	3800	2400	2	HI4082	
	39	7767	44.93	3.00	3370	3440	2	HI4092	
	35	8595	49.72	1.56	3800	2400	2	HI4082	
	33	9056	53.50	1.51	3800	2400	3	HI4083	Available
	32	9212	54.42	4.14	5550	5350	3	HI4103	Available
	31	9667	57.11	1.42	3800	2400	3	HI4083	Available
	30	9718	57.41	2.74	4460	3440	3	HI4093	
	29.2	10348	59.86	2.26	3370	3440	2	HI4092	
	28.1	10527	62.19	2.53	4460	3440	3	HI4093	Available
	27.6	10726	63.37	2.48	4460	3440	3	HI4093	Available
	26.4	11217	66.27	1.22	3800	2400	3	HI4083	Available
	25.0	11840	69.95	1.16	3800	2400	3	HI4083	Available
24.9	11920	70.42	2.23	4460	3440	3	HI4093		
24.8	11937	70.52	3.19	6300	5350	3	HI4103	Available	
23.9	12377	73.12	3.08	6300	5350	3	HI4103	Available	
21.8	13582	80.24	1.96	4460	3440	3	HI4093	Available	
20.9	14191	83.84	2.68	6500	5350	3	HI4103	Available	
19.7	15066	89.01	1.77	4460	3440	3	HI4093	Available	
17.0	17384	102.70	2.19	6500	5350	3	HI4103	Available	
16.6	17812	105.23	1.49	4460	3440	3	HI4093	Available	
15.5	19080	112.72	1.39	4460	3440	3	HI4093	Available	
14.9	19933	117.76	1.91	6500	5350	3	HI4103	Available	
14.4	20554	121.43	1.85	6500	5350	3	HI4103	Available	
13.8	21475	126.87	1.24	4460	3440	3	HI4093	Available	
13.1	22557	133.26	1.18	4460	3440	3	HI4093	Available	
12.6	23567	139.23	1.62	6500	5350	3	HI4103	Available	
↓									

* Integral Gearmotors - Specify Mounting Type I or K, and motor horsepower (See page I-6).

* Motorized Reducers - Specify Mounting Type E or G, and Motor Part number (See Section H)

All torque values listed in inch-pounds, all overhung load and thrust load values listed in pounds.

The point of application of OHL is considered to be applied at the midpoint of shaft extension.

OHL and thrust ratings cannot be applied simultaneously. Consult the factory for applications with combined OHL and thrust load.

At speeds above 1750 RPM, units may become thermally limited. For extended operation, limit HP to 1750 RPM rating.

Selection By Input H.P. @ 1750 RPM

HP	Output Speed	Output Torque	Ratio	Service Factor	Output OHL	Output Thrust	Gear Stages	Model*	Integral Gearmotor
5	12.0	24779	146.39	1.54	6500	5350	3	HI4103	Available
	11.1	26600	157.15	1.00	4460	3440	3	HI4093	Available
	10.4	28411	167.85	1.34	6500	5350	3	HI4103	Available
	9.7	30692	181.32	1.24	6500	5350	3	HI4103	Available
	8.4	35191	207.90	1.08	6500	5350	3	HI4103	Available
7.5	732	620	2.39	3.81	1280	1400	2	HI4072	
	726	625	2.41	3.58	1230	1160	2	HI4662	
	681	666	2.57	2.48	960	890	2	HI4062	
	665	682	2.63	1.50	530	610	2	HI4042	
	655	692	2.67	3.80	1340	1500	2	HI4072	
	646	703	2.71	3.36	1270	1190	2	HI4662	
	593	765	2.95	1.39	550	630	2	HI4042	
	585	775	2.99	3.62	1350	1580	2	HI4072	
	574	791	3.05	3.14	1310	1220	2	HI4662	
	568	799	3.08	2.20	1010	930	2	HI4062	
	543	835	3.22	3.40	1350	1580	2	HI4072	
	530	856	3.30	3.02	1330	1240	2	HI4662	
	529	858	3.31	1.28	570	650	2	HI4042	
	483	939	3.62	3.07	1450	1580	2	HI4072	
	470	965	3.72	1.21	580	660	2	HI4042	
	469	967	3.73	2.78	1370	1260	2	HI4662	
	449	1011	3.90	1.86	1090	1000	2	HI4062	
	446	1016	3.92	2.91	1550	1580	2	HI4072	
	432	1050	4.05	2.63	1420	1320	2	HI4662	
	416	1092	4.21	1.17	590	650	2	HI4042	
	394	1151	4.44	2.67	1620	1580	2	HI4072	
	387	1172	4.52	1.68	1140	1050	2	HI4062	
	380	1195	4.61	2.40	1470	1360	2	HI4662	
	366	1239	4.78	1.03	620	690	2	HI4042	
	346	1312	5.06	2.44	1640	1580	2	HI4072	
	331	1369	5.28	2.17	1540	1430	2	HI4662	
	298	1525	5.88	2.41	1550	1430	2	HI4662	
	293	1551	5.98	2.10	1080	870	2	HI4062	
	291	1558	6.01	3.36	1685	1580	2	HI4072	
	265	1714	6.61	2.19	1640	1500	2	HI4662	
	261	1740	6.71	3.10	1685	1580	2	HI4072	
	244	1857	7.16	1.80	1180	990	2	HI4062	
	235	1929	7.44	2.04	1690	1500	2	HI4662	
	233	1945	7.50	2.86	1685	1580	2	HI4072	
	217	2087	8.05	2.00	1700	1500	2	HI4662	
	216	2098	8.09	2.71	1685	1580	2	HI4072	
	193	2349	9.06	1.47	1290	1110	2	HI4062	
	193	2357	9.09	2.49	1710	1580	2	HI4072	
	192	2360	9.10	1.82	1700	1500	2	HI4662	
	178	2554	9.85	2.35	1710	1580	2	HI4072	
	177	2565	9.89	1.73	1700	1500	2	HI4662	
	166	2728	10.52	1.35	1340	1140	2	HI4062	
	157	2891	11.15	2.09	1780	1580	2	HI4072	
	156	2917	11.25	1.60	1700	1500	2	HI4662	
	138	3296	12.71	3.70	2350	1850	2	HI4082	
138	3296	12.71	1.93	1830	1580	2	HI4072		
136	3340	12.88	1.44	1700	1500	2	HI4662		
127	3565	13.75	1.10	1470	1260	2	HI4062		

* Integral Gearmotors - Specify Mounting Type I or K, and motor horsepower (See page I-6).
 * Motorized Reducers - Specify Mounting Type E or G, and Motor Part number (See Section H)
 All torque values listed in inch-pounds, all overhung load and thrust load values listed in pounds.
 The point of application of OHL is considered to be applied at the midpoint of shaft extension.
 OHL and thrust ratings cannot be applied simultaneously. Consult the factory for applications with combined OHL and thrust load.
 At speeds above 1750 RPM, units may become thermally limited. For extended operation, limit HP to 1750 RPM rating.

Selection By Input H.P. @ 1750 RPM

HP	Output Speed	Output Torque	Ratio	Service Factor	Output OHL	Output Thrust	Gear Stages	Model*	Integral Gearmotor
10	543	1113	3.22	2.55	1350	1580	2	HI4072	
	530	1141	3.30	2.26	1330	1240	2	HI4662	
	483	1252	3.62	2.30	1450	1580	2	HI4072	
	469	1290	3.73	2.09	1370	1260	2	HI4662	
	449	1348	3.90	1.39	1090	1000	2	HI4062	
	446	1355	3.92	2.18	1550	1580	2	HI4072	
	432	1400	4.05	1.97	1420	1320	2	HI4662	
	411	1473	4.26	3.73	1860	1850	2	HI4082	
	394	1535	4.44	2.00	1620	1580	2	HI4072	
	387	1563	4.52	1.26	1140	1050	2	HI4062	
	380	1594	4.61	1.80	1470	1360	2	HI4662	
	346	1749	5.06	3.29	1880	1850	2	HI4082	
	346	1749	5.06	1.83	1640	1580	2	HI4072	
	331	1825	5.28	1.63	1540	1430	2	HI4662	
	298	2033	5.88	1.81	1550	1430	2	HI4662	
	293	2068	5.98	1.58	1080	870	2	HI4062	
	291	2078	6.01	2.52	1685	1580	2	HI4072	
	265	2285	6.61	1.64	1640	1500	2	HI4662	
	261	2320	6.71	2.33	1685	1580	2	HI4072	
	244	2475	7.16	1.35	1180	990	2	HI4062	
	235	2572	7.44	1.53	1690	1500	2	HI4662	
	233	2593	7.50	2.14	1685	1580	2	HI4072	
	217	2783	8.05	1.50	1700	1500	2	HI4662	
	216	2797	8.09	3.80	2100	1850	2	HI4082	
	216	2797	8.09	2.03	1685	1580	2	HI4072	
	193	3132	9.06	1.10	1290	1110	2	HI4062	
	193	3143	9.09	3.53	2140	1850	2	HI4082	
	193	3143	9.09	1.86	1710	1580	2	HI4072	
	192	3146	9.10	1.37	1700	1500	2	HI4662	
	185	3271	9.46	3.42	2150	1850	2	HI4082	
	178	3406	9.85	1.76	1710	1580	2	HI4072	
	177	3419	9.89	1.30	1700	1500	2	HI4662	
	166	3637	10.52	1.01	1340	1140	2	HI4062	
	164	3696	10.69	3.15	2200	1850	2	HI4082	
	157	3855	11.15	1.57	1780	1580	2	HI4072	
	156	3890	11.25	1.20	1700	1500	2	HI4662	
	138	4394	12.71	2.77	2350	1850	2	HI4082	
	138	4394	12.71	1.45	1830	1580	2	HI4072	
	136	4453	12.88	1.08	1700	1500	2	HI4662	
	124	4899	14.17	4.16	3370	2360	2	HI4092	
	98	6171	17.85	2.14	2500	1950	2	HI4082	
	98	6171	17.85	1.12	2030	1620	2	HI4072	
	96	6310	18.25	3.50	3370	2740	2	HI4092	
	87	6925	20.03	3.34	3370	2850	2	HI4092	
	83	7295	21.10	1.82	2750	1950	2	HI4082	
83	7295	21.10	1.00	2120	1620	2	HI4072		
71	8488	24.55	2.95	3370	3240	2	HI4092		
69	8796	25.44	1.51	3000	2400	2	HI4082		
64	9508	27.50	2.43	3370	3420	2	HI4092		
56	10752	31.10	2.15	3370	3440	2	HI4092		
56	10894	31.51	1.22	3400	2400	2	HI4082		
54	11230	32.48	3.39	4350	5320	2	HI4102		
51	11700	34.56	3.26	4550	5350	3	HI4103		
50	12090	34.97	3.15	4550	5350	2	HI4102		

* Motorized Reducers - Specify Mounting Type E or G, and Motor Part number (See Section H)
 All torque values listed in inch-pounds, all overhung load and thrust load values listed in pounds.
 The point of application of OHL is considered to be applied at the midpoint of shaft extension.
 OHL and thrust ratings cannot be applied simultaneously. Consult the factory for applications with combined OHL and thrust load.
 At speeds above 1750 RPM, units may become thermally limited. For extended operation, limit HP to 1750 RPM rating.

HUB CITY POWERATIO® 4000 – HIGH EFFICIENCY HELICAL IN-LINE DRIVES

Selection By Input H.P. @ 1750 RPM

HP	Output Speed	Output Torque	Ratio	Service Factor	Output OHL	Output Thrust	Gear Stages	Model*	Integral Gearmotor	
↑ 10 ↓	46	13238	38.29	1.75	3370	3440	2	HI4092		
	45	13064	38.59	2.92	4570	5350	3	HI4103		
	44	13416	39.63	2.84	4850	5350	3	HI4103		
	41	14608	43.15	2.61	5000	5350	3	HI4103		
	39	15534	44.93	1.50	3370	3440	2	HI4092		
	38	15759	46.55	2.42	5100	5350	3	HI4103		
	35	16747	49.47	2.27	5300	5350	3	HI4103		
	33	17705	52.30	2.15	5450	5350	3	HI4103		
	33	18068	53.37	2.11	5500	5350	3	HI4103		
	32	18423	54.42	2.07	5550	5350	3	HI4103		
	30	19435	57.41	1.37	4460	3440	3	HI4093		
	29.2	20696	59.86	1.13	3370	3440	2	HI4092		
	29.2	20302	59.97	1.88	5750	5350	3	HI4103		
	28.5	20823	61.51	1.83	6000	5350	3	HI4103		
	28.1	21053	62.19	1.26	4460	3440	3	HI4093		
	28.0	21125	62.40	1.80	6000	5350	3	HI4103		
	27.6	21453	63.37	1.24	4460	3440	3	HI4093		
	26.1	23185	67.06	1.01	3370	3440	2	HI4092		
	24.9	23840	70.42	1.12	4460	3440	3	HI4093		
	24.8	23873	70.52	1.60	6300	5350	3	HI4103		
	23.9	24754	73.12	1.54	6300	5350	3	HI4103		
	20.9	28383	83.84	1.34	6500	5350	3	HI4103		
	17.0	34767	102.70	1.10	6500	5350	3	HI4103		
	↑ 15 ↓	732	1239	2.39	1.90	1280	1400	2	HI4072	
		731	1242	2.39	3.58	1820	1850	2	HI4082	
		726	1250	2.41	1.79	1230	1160	2	HI4662	
		681	1333	2.57	1.24	960	890	2	HI4062	
		655	1385	2.67	3.37	1830	1850	2	HI4082	
655		1385	2.67	1.90	1340	1500	2	HI4072		
646		1405	2.71	1.68	1270	1190	2	HI4662		
585		1551	2.99	3.15	1840	1850	2	HI4082		
585		1551	2.99	1.81	1350	1580	2	HI4072		
574		1582	3.05	1.57	1310	1220	2	HI4662		
568		1597	3.08	1.10	1010	930	2	HI4062		
543		1670	3.22	2.99	1840	1850	2	HI4082		
543		1670	3.22	1.70	1350	1580	2	HI4072		
530		1711	3.30	1.51	1330	1240	2	HI4662		
483		1877	3.62	2.79	1840	1850	2	HI4082		
483		1877	3.62	1.53	1450	1580	2	HI4072		
469		1934	3.73	1.39	1370	1260	2	HI4662		
464		1955	3.77	2.70	1850	1850	2	HI4082		
446		2033	3.92	1.46	1550	1580	2	HI4072		
432		2100	4.05	1.31	1420	1320	2	HI4662		
411		2209	4.26	2.48	1860	1850	2	HI4082		
394		2303	4.44	1.33	1620	1580	2	HI4072		
380		2391	4.61	1.20	1470	1360	2	HI4662		
346		2624	5.06	2.19	1880	1850	2	HI4082		
346		2624	5.06	1.22	1640	1580	2	HI4072		
331		2738	5.28	1.08	1540	1430	2	HI4662		
326		2780	5.36	3.78	3370	2290	2	HI4092		
298		3049	5.88	1.21	1550	1430	2	HI4662		
293		3101	5.98	1.05	1080	870	2	HI4062		

* Motorized Reducers - Specify Mounting Type E or G, and Motor Part number (See Section H)

All torque values listed in inch-pounds, all overhung load and thrust load values listed in pounds.

The point of application of OHL is considered to be applied at the midpoint of shaft extension.

OHL and thrust ratings cannot be applied simultaneously. Consult the factory for applications with combined OHL and thrust load.

At speeds above 1750 RPM, units may become thermally limited. For extended operation, limit HP to 1750 RPM rating.

Selection By Input H.P. @ 1750 RPM

HP	Output Speed	Output Torque	Ratio	Service Factor	Output OHL	Output Thrust	Gear Stages	Model*	Integral Gearmotor
↑	291	3117	6.01	3.03	1900	1850	2	HI4082	
	291	3117	6.01	1.68	1685	1580	2	HI4072	
	265	3428	6.61	1.09	1640	1500	2	HI4662	
	261	3480	6.71	2.84	1980	1850	2	HI4082	
	261	3480	6.71	1.55	1685	1580	2	HI4072	
	235	3858	7.44	1.02	1690	1500	2	HI4662	
	233	3890	7.50	2.66	2080	1850	2	HI4082	
	233	3890	7.50	1.43	1685	1580	2	HI4072	
	217	4175	8.05	1.00	1700	1500	2	HI4662	
	216	4196	8.09	2.53	2100	1850	2	HI4082	
	216	4196	8.09	1.35	1685	1580	2	HI4072	
	193	4714	9.09	2.35	2140	1850	2	HI4082	
	193	4714	9.09	1.24	1710	1580	2	HI4072	
	185	4906	9.46	2.28	2150	1850	2	HI4082	
	178	5108	9.85	1.17	1710	1580	2	HI4072	
	164	5544	10.69	2.10	2200	1850	2	HI4082	
	157	5782	11.15	1.05	1780	1580	2	HI4072	
	144	6311	12.17	3.04	3370	2290	2	HI4092	
	138	6591	12.71	1.85	2350	1850	2	HI4082	
	124	7349	14.17	2.78	3370	2360	2	HI4092	
	98	9257	17.85	1.43	2500	1950	2	HI4082	
	96	9465	18.25	2.34	3370	2740	2	HI4092	
	87	10388	20.03	2.22	3370	2850	2	HI4092	
	83	10943	21.10	1.21	2750	1950	2	HI4082	
	78	11564	22.30	3.29	3700	3750	2	HI4102	
	71	12732	24.55	1.96	3370	3240	2	HI4092	
	70	12972	25.01	2.94	3900	3750	2	HI4102	
	69	13193	25.44	1.01	3000	2400	2	HI4082	
	64	14262	27.50	1.62	3370	3420	2	HI4092	
	62	14694	28.33	2.59	4200	3750	2	HI4102	
	56	16129	31.10	1.43	3370	3440	2	HI4092	
	54	16845	32.48	2.26	4350	5320	2	HI4102	
	51	17550	34.56	2.17	4550	5350	3	HI4103	
	50	18136	34.97	2.10	4550	5350	2	HI4102	
	46	19857	38.29	1.17	3370	3440	2	HI4092	
	45	19596	38.59	1.94	4570	5350	3	HI4103	
44	20124	39.63	1.89	4850	5350	3	HI4103		
41	21912	43.15	1.74	5000	5350	3	HI4103		
39	23301	44.93	1.00	3370	3440	2	HI4092		
38	23638	46.55	1.61	5100	5350	3	HI4103		
35	25121	49.47	1.52	5300	5350	3	HI4103		
33	26558	52.30	1.43	5450	5350	3	HI4103		
33	27101	53.37	1.41	5500	5350	3	HI4103		
32	27635	54.42	1.38	5550	5350	3	HI4103		
29	30453	59.97	1.25	5750	5350	3	HI4103		
28.5	31235	61.51	1.22	6000	5350	3	HI4103		
28.0	31687	62.40	1.20	6000	5350	3	HI4103		
24.8	35810	70.52	1.06	6300	5350	3	HI4103		
23.9	37130	73.12	1.03	6300	5350	3	HI4103		
↓									

* Motorized Reducers - Specify Mounting Type E or G, and Motor Part number (See Section H)
 All torque values listed in inch-pounds, all overhung load and thrust load values listed in pounds.
 The point of application of OHL is considered to be applied at the midpoint of shaft extension.
 OHL and thrust ratings cannot be applied simultaneously. Consult the factory for applications with combined OHL and thrust load.
 At speeds above 1750 RPM, units may become thermally limited. For extended operation, limit HP to 1750 RPM rating.

HUB CITY POWERATIO® 4000 – HIGH EFFICIENCY HELICAL IN-LINE DRIVES

Selection By Input H.P. @ 1750 RPM

HP	Output Speed	Output Torque	Ratio	Service Factor	Output OHL	Output Thrust	Gear Stages	Model*	Integral Gearmotor	
↑	732	1653	2.39	1.43	1280	1400	2	HI4072		
	731	1655	2.39	2.69	1820	1850	2	HI4082		
	726	1666	2.41	1.34	1230	1160	2	HI4662		
	655	1846	2.67	2.52	1830	1850	2	HI4082		
	655	1846	2.67	1.42	1340	1500	2	HI4072		
	646	1874	2.71	1.26	1270	1190	2	HI4662		
	585	2068	2.99	2.36	1840	1850	2	HI4082		
	585	2068	2.99	1.36	1350	1580	2	HI4072		
	574	2109	3.05	1.18	1310	1220	2	HI4662		
	543	2227	3.22	2.25	1840	1850	2	HI4082		
	543	2227	3.22	1.28	1350	1580	2	HI4072		
	530	2282	3.30	1.13	1330	1240	2	HI4662		
	486	2489	3.60	3.90	3370	2290	2	HI4092		
	483	2503	3.62	2.09	1840	1850	2	HI4082		
	483	2503	3.62	1.15	1450	1580	2	HI4072		
	469	2579	3.73	1.04	1370	1260	2	HI4662		
	464	2607	3.77	2.02	1850	1850	2	HI4082		
	446	2711	3.92	1.09	1550	1580	2	HI4072		
	411	2946	4.26	1.86	1860	1850	2	HI4082		
	394	3070	4.44	1.00	1620	1580	2	HI4072		
	380	3181	4.60	3.30	3370	2290	2	HI4092		
	346	3499	5.06	1.64	1880	1850	2	HI4082		
	326	3706	5.36	2.84	3370	2290	2	HI4092		
	291	4156	6.01	2.27	1900	1850	2	HI4082		
	291	4156	6.01	1.26	1685	1580	2	HI4072		
	262	4626	6.69	3.78	3370	2290	2	HI4092		
	261	4640	6.71	2.13	1980	1850	2	HI4082		
	20	261	4640	6.71	1.16	1685	1580	2	HI4072	
	233	5186	7.50	2.00	2080	1850	2	HI4082		
	233	5186	7.50	1.07	1685	1580	2	HI4072		
	216	5594	8.09	1.90	2100	1850	2	HI4082		
	216	5594	8.09	1.02	1685	1580	2	HI4072		
	210	5767	8.34	3.12	3370	2290	2	HI4092		
	193	6286	9.09	1.77	2140	1850	2	HI4082		
	185	6541	9.46	1.71	2150	1850	2	HI4082		
	184	6583	9.52	2.76	3370	2290	2	HI4092		
	164	7392	10.69	1.58	2200	1850	2	HI4082		
	144	8415	12.17	2.28	3370	2290	2	HI4092		
	138	8789	12.71	1.39	2350	1850	2	HI4082		
	124	9798	14.17	2.08	3370	2360	2	HI4092		
	121	9967	14.41	3.82	3050	3040	2	HI4102		
	98	12343	17.85	1.07	2500	1950	2	HI4082		
	97	12530	18.12	3.04	3350	3040	2	HI4102		
	96	12619	18.25	1.75	3370	2740	2	HI4092		
87	13850	20.03	1.67	3370	2850	2	HI4092			
87	13854	20.04	2.75	3500	3300	2	HI4102			
78	15418	22.30	2.47	3700	3750	2	HI4102			
71	16976	24.55	1.47	3370	3240	2	HI4092			
70	17297	25.01	2.20	3900	3750	2	HI4102			
64	19016	27.50	1.21	3370	3420	2	HI4092			
62	19592	28.33	1.94	4200	3750	2	HI4102			
56	21505	31.10	1.07	3370	3440	2	HI4092			
54	22460	32.48	1.70	4350	5320	2	HI4102			
51	23399	34.56	1.63	4550	5350	3	HI4103			
50	24181	34.97	1.58	4550	5350	2	HI4102			
45	26128	38.59	1.46	4570	5350	3	HI4103			
44	26832	39.63	1.42	4850	5350	3	HI4103			

* Motorized Reducers - Specify Mounting Type E or G, and Motor Part number (See Section H)

All torque values listed in inch-pounds, all overhung load and thrust load values listed in pounds.

The point of application of OHL is considered to be applied at the midpoint of shaft extension.

OHL and thrust ratings cannot be applied simultaneously. Consult the factory for applications with combined OHL and thrust load.

At speeds above 1750 RPM, units may become thermally limited. For extended operation, limit HP to 1750 RPM rating.

Selection By Input H.P. @ 1750 RPM

HP	Output Speed	Output Torque	Ratio	Service Factor	Output OHL	Output Thrust	Gear Stages	Model*	Integral Gearmotor
20	38	31518	46.55	1.21	5100	5350	3	HI4103	
	35	33495	49.47	1.14	5300	5350	3	HI4103	
	33	35411	52.30	1.08	5450	5350	3	HI4103	
	33	36135	53.37	1.05	5500	5350	3	HI4103	
	32	36846	54.42	1.03	5550	5350	3	HI4103	
25	781	1936	2.24	4.13	3370	2200	2	HI4092	
	732	2066	2.39	1.14	1280	1400	2	HI4072	
	731	2069	2.39	2.15	1820	1850	2	HI4082	
	726	2083	2.41	1.08	1230	1160	2	HI4662	
	692	2187	2.53	3.85	3370	2270	2	HI4092	
	655	2308	2.67	2.02	1830	1850	2	HI4082	
	655	2308	2.67	1.14	1340	1500	2	HI4072	
	646	2342	2.71	1.01	1270	1190	2	HI4662	
	585	2584	2.99	1.89	1840	1850	2	HI4082	
	585	2584	2.99	1.09	1350	1580	2	HI4072	
	556	2723	3.15	3.39	3370	2290	2	HI4092	
	543	2783	3.22	1.80	1840	1850	2	HI4082	
	543	2783	3.22	1.02	1350	1580	2	HI4072	
	486	3112	3.60	3.12	3370	2290	2	HI4092	
	483	3129	3.62	1.67	1840	1850	2	HI4082	
	464	3259	3.77	1.62	1850	1850	2	HI4082	
	411	3682	4.26	1.49	1860	1850	2	HI4082	
	380	3976	4.60	2.64	3370	2290	2	HI4092	
	346	4374	5.06	1.31	1880	1850	2	HI4082	
	326	4633	5.36	2.27	3370	2290	2	HI4092	
	296	5117	5.92	3.22	3370	2290	2	HI4092	
	291	5195	6.01	1.82	1900	1850	2	HI4082	
	291	5195	6.01	1.01	1685	1580	2	HI4072	
	262	5782	6.69	3.03	3370	2290	2	HI4092	
	261	5800	6.71	1.71	1980	1850	2	HI4082	
	233	6483	7.50	1.60	2080	1850	2	HI4082	
	223	6789	7.85	4.12	2790	2790	2	HI4102	
	216	6993	8.09	1.52	2100	1850	2	HI4082	
	210	7209	8.34	2.50	3370	2290	2	HI4092	
	193	7857	9.09	1.41	2140	1850	2	HI4082	
	185	8177	9.46	1.37	2150	1850	2	HI4082	
	184	8229	9.52	2.21	3370	2290	2	HI4092	
	164	9240	10.69	1.26	2200	1850	2	HI4082	
	144	10519	12.17	1.83	3370	2290	2	HI4092	
	143	10555	12.21	3.61	2810	2790	2	HI4102	
	138	10986	12.71	1.11	2350	1850	2	HI4082	
	124	12248	14.17	1.67	3370	2360	2	HI4092	
	121	12459	14.41	3.06	3050	3040	2	HI4102	
	97	15662	18.12	2.43	3350	3040	2	HI4102	
	96	15774	18.25	1.40	3370	2740	2	HI4092	
87	17313	20.03	1.33	3370	2850	2	HI4092		
87	17317	20.04	2.20	3500	3300	2	HI4102		
78	19273	22.30	1.98	3700	3750	2	HI4102		
71	21220	24.55	1.18	3370	3240	2	HI4092		
70	21621	25.01	1.76	3900	3750	2	HI4102		
62	24489	28.33	1.56	4200	3750	2	HI4102		
54	28075	32.48	1.36	4350	5320	2	HI4102		
51	29249	34.56	1.30	4550	5350	3	HI4103		
50	30226	34.97	1.26	4550	5350	2	HI4102		
45	32660	38.59	1.17	4570	5350	3	HI4103		
44	33540	39.63	1.14	4850	5350	3	HI4103		
41	36519	43.15	1.04	5000	5350	3	HI4103		

* Motorized Reducers - Specify Mounting Type E or G, and Motor Part number (See Section H)
 All torque values listed in inch-pounds, all overhung load and thrust load values listed in pounds.
 The point of application of OHL is considered to be applied at the midpoint of shaft extension.
 OHL and thrust ratings cannot be applied simultaneously. Consult the factory for applications with combined OHL and thrust load.
 At speeds above 1750 RPM, units may become thermally limited. For extended operation, limit HP to 1750 RPM rating.

HUB CITY POWERATIO® 4000 – HIGH EFFICIENCY HELICAL IN-LINE DRIVES

Selection By Input H.P. @ 1750 RPM

HP	Output Speed	Output Torque	Ratio	Service Factor	Output OHL	Output Thrust	Gear Stages	Model*	Integral Gearmotor
30	731	2483	2.39	1.79	1820	1850	2	HI4082	
	655	2769	2.67	1.68	1830	1850	2	HI4082	
	585	3101	2.99	1.57	1840	1850	2	HI4082	
	556	3267	3.15	2.83	3370	2290	2	HI4092	
	543	3340	3.22	1.50	1840	1850	2	HI4082	
	486	3734	3.60	2.60	3370	2290	2	HI4092	
	483	3755	3.62	1.39	1840	1850	2	HI4082	
	464	3910	3.77	1.35	1850	1850	2	HI4082	
	411	4419	4.26	1.24	1860	1850	2	HI4082	
	380	4771	4.60	2.20	3370	2290	2	HI4092	
	34	5248	5.06	1.10	1880	1850	2	HI4082	
	326	5559	5.36	1.89	3370	2290	2	HI4092	
	296	6140	5.92	2.69	3370	2290	2	HI4092	
	291	6234	6.01	1.52	1900	1850	2	HI4082	
	262	6939	6.69	2.52	3370	2290	2	HI4092	
	261	6960	6.71	1.42	1980	1850	2	HI4082	
	233	7779	7.50	1.33	2080	1850	2	HI4082	
	216	8391	8.09	1.27	2100	1850	2	HI4082	
	210	8650	8.34	2.08	3370	2290	2	HI4092	
	193	9428	9.09	1.18	2140	1850	2	HI4082	
	185	9812	9.46	1.14	2150	1850	2	HI4082	
	184	9874	9.52	1.84	3370	2290	2	HI4092	
	164	11088	10.69	1.05	2200	1850	2	HI4082	
	144	12623	12.17	1.52	3370	2290	2	HI4092	
	143	12666	12.21	3.01	2810	2790	2	HI4102	
	124	14697	14.17	1.39	3370	2360	2	HI4092	
	121	14950	14.41	2.55	3050	3040	2	HI4102	
	97	18794	18.12	2.03	3350	3040	2	HI4102	
	96	18929	18.25	1.17	3370	2740	2	HI4092	
	87	20775	20.03	1.11	3370	2850	2	HI4092	
87	20781	20.04	1.83	3500	3300	2	HI4102		
78	23128	22.30	1.65	3700	3750	2	HI4102		
70	25945	25.01	1.47	3900	3750	2	HI4102		
62	29387	28.33	1.30	4200	3750	2	HI4102		
54	33690	32.48	1.13	4350	5320	2	HI4102		
51	35099	34.56	1.09	4550	5350	3	HI4103		
50	36271	34.97	1.05	4550	5350	2	HI4102		
40	781	3098	2.24	2.58	3370	2200	2	HI4092	
	774	3125	2.26	3.13	2725	2790	2	HI4102	
	731	3311	2.39	1.34	1820	1850	2	HI4082	
	692	3499	2.53	2.41	3370	2270	2	HI4092	
	678	3568	2.58	3.12	2735	2790	2	HI4102	
	655	3692	2.67	1.26	1830	1850	2	HI4082	
	592	4088	2.96	3.13	2745	2790	2	HI4102	
	585	4135	2.99	1.18	1840	1850	2	HI4082	
	556	4356	3.15	2.12	3370	2290	2	HI4092	
	543	4453	3.22	1.12	1840	1850	2	HI4082	
	486	4979	3.60	1.95	3370	2290	2	HI4092	
	483	5006	3.62	1.04	1840	1850	2	HI4082	
	464	5214	3.77	1.01	1850	1850	2	HI4082	
	461	5244	3.79	3.13	2755	2790	2	HI4102	
	381	6356	4.60	3.04	2570	2790	2	HI4102	

* Motorized Reducers - Specify Mounting Type E or G, and Motor Part number (See Section H)
 All torque values listed in inch-pounds, all overhung load and thrust load values listed in pounds.
 The point of application of OHL is considered to be applied at the midpoint of shaft extension.
 OHL and thrust ratings cannot be applied simultaneously. Consult the factory for applications with combined OHL and thrust load.
 At speeds above 1750 RPM, units may become thermally limited. For extended operation, limit HP to 1750 RPM rating.

Selection By Input H.P. @ 1750 RPM

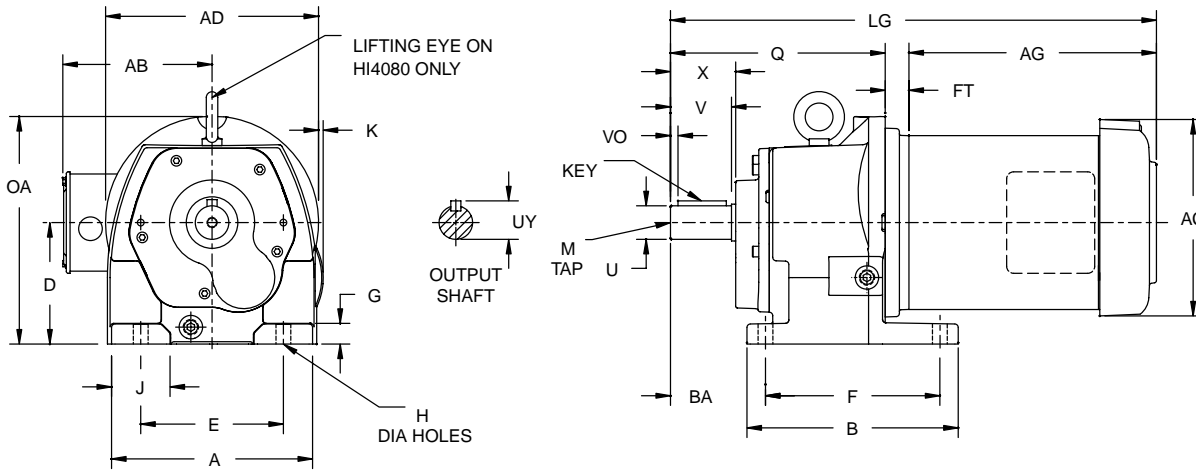
HP	Output Speed	Output Torque	Ratio	Service Factor	Output OHL	Output Thrust	Gear Stages	Model*	Integral Gearmotor
40	380	6362	4.60	1.65	3370	2290	2	HI4092	
	326	7413	5.36	1.42	3370	2290	2	HI4092	
	323	7502	5.43	2.57	2700	2790	2	HI4102	
	296	8187	5.92	2.02	3370	2290	2	HI4092	
	291	8305	6.01	3.13	2750	2790	2	HI4102	
	291	8312	6.01	1.14	1900	1850	2	HI4082	
	262	9252	6.69	1.89	3370	2290	2	HI4092	
	261	9280	6.71	1.07	1980	1850	2	HI4082	
	255	9483	6.86	2.77	2785	2790	2	HI4102	
	233	10372	7.50	1.00	2080	1850	2	HI4082	
	223	10862	7.85	2.58	2790	2790	2	HI4102	
	210	11534	8.34	1.56	3370	2290	2	HI4092	
	184	13166	9.52	1.38	3370	2290	2	HI4092	
	174	13937	10.08	2.51	2800	2790	2	HI4102	
	144	16830	12.17	1.14	3370	2290	2	HI4092	
	143	16889	12.21	2.26	2810	2790	2	HI4102	
	124	19596	14.17	1.04	3370	2360	2	HI4092	
	121	19934	14.41	1.91	3050	3040	2	HI4102	
	97	25059	18.12	1.52	3350	3040	2	HI4102	
	87	27707	20.04	1.38	3500	3300	2	HI4102	
78	30837	22.30	1.24	3700	3750	2	HI4102		
70	34593	25.01	1.10	3900	3750	2	HI4102		
50	781	3872	2.24	2.07	3370	2200	2	HI4092	
	774	3907	2.26	2.50	2725	2790	2	HI4102	
	731	4138	2.39	1.08	1820	1850	2	HI4082	
	692	4374	2.53	1.93	3370	2270	2	HI4092	
	678	4460	2.58	2.50	2735	2790	2	HI4102	
	655	4616	2.67	1.01	1830	1850	2	HI4082	
	592	5110	2.96	2.50	2745	2790	2	HI4102	
	556	5445	3.15	1.70	3370	2290	2	HI4092	
	486	6223	3.60	1.56	3370	2290	2	HI4092	
	461	6555	3.79	2.50	2755	2790	2	HI4102	
	381	7945	4.60	2.43	2570	2790	2	HI4102	
	380	7952	4.60	1.32	3370	2290	2	HI4092	
	326	9266	5.36	1.13	3370	2290	2	HI4092	
	323	9378	5.43	2.06	2700	2790	2	HI4102	
	296	10234	5.92	1.61	3370	2290	2	HI4092	
	291	10381	6.01	2.50	2750	2790	2	HI4102	
	262	11565	6.69	1.51	3370	2290	2	HI4092	
	255	11854	6.86	2.22	2785	2790	2	HI4102	
	223	13577	7.85	2.06	2790	2790	2	HI4102	
	210	14417	8.34	1.25	3370	2290	2	HI4092	
184	16457	9.52	1.11	3370	2290	2	HI4092		
174	17422	10.08	2.01	2800	2790	2	HI4102		
143	21111	12.21	1.80	2810	2790	2	HI4102		
121	24917	14.41	1.53	3050	3040	2	HI4102		
97	31324	18.12	1.22	3350	3040	2	HI4102		
87	34634	20.04	1.10	3500	3300	2	HI4102		

* Motorized Reducers - Specify Mounting Type E or G, and Motor Part number (See Section H)
 All torque values listed in inch-pounds, all overhung load and thrust load values listed in pounds.
 The point of application of OHL is considered to be applied at the midpoint of shaft extension.
 OHL and thrust ratings cannot be applied simultaneously. Consult the factory for applications with combined OHL and thrust load.
 At speeds above 1750 RPM, units may become thermally limited. For extended operation, limit HP to 1750 RPM rating.

HUB CITY POWERATIO® 4000 – HIGH EFFICIENCY HELICAL IN-LINE DRIVES

Integral Double Reduction

DIMENSIONS SHOWN ARE FOR REFERENCE ONLY. CERTIFIED PRINTS ARE AVAILABLE UPON REQUEST.



Gearcase

Dimensions are inch/ mm

Model	A	AD	B	BA	D	E	F	G	H	J	K	OA	Q
HI4032I	5.20	5.64	5.08	2.28	2.95 ⁺⁰ _{-.02}	4.33	4.33	0.45	0.39	0.93	0.31	5.71	6.96
	132	143	129	58	75 ⁺⁰ _{-.5}	110	110	11	10	24	8	145	177
HI4042I	5.72	6.61	6.30	2.95	3.54 ⁺⁰ _{-.02}	4.33	5.12	0.59	0.39	1.40	0.29	6.68	7.29
	145	168	160	75	90 ⁺⁰ _{-.5}	110	130	15	10	35	7	170	185
HI4062I	7.48	7.93	7.87	3.94	4.53 ⁺⁰ _{-.02}	5.32	6.50	0.75	0.53	2.18	N/A	8.48	8.40
	190	201	200	100	115 ⁺⁰ _{-.5}	135	165	19	14	55	N/A	215	213
HI4662I	8.14	8.50	9.13	3.94	5.12 ⁺⁰ _{-.02}	5.91	7.68	0.82	0.53	2.39	0.24	9.08	9.44
	207	216	232	100	130 ⁺⁰ _{-.5}	150	195	21	14	61	6	231	240
HI4072I	8.66	9.97	9.65	4.53	5.51 ⁺⁰ _{-.02}	6.69	8.07	0.98	0.69	2.16	N/A	10.47	10.79
	220	253	245	115	140 ⁺⁰ _{-.5}	170	205	25	18	55	N/A	266	274
HI4082I	11.34	11.96	12.59	5.51	7.09 ⁺⁰ _{-.02}	8.47	10.24	1.11	0.75	2.93	N/A	13.04	12.99
	288	304	320	140	180 ⁺⁰ _{-.5}	215	260	28	19	74	N/A	331	330

Output Shaft *

Model	U	UY	V	VO	X	KEY	M
HI4032I	0.750 ⁺⁰ _{-.001}	0.82	1.93	0.25	1.98	3/16 x 3/16 x 1-1/16	1/4-20 x 0.63
HI4042I	1.000 ⁺⁰ _{-.001}	1.10	N/A	0.40	2.12	1/4 x 1/4 x 1-1/2	3/8-24 x 0.91
HI4062I	1.375 ⁺⁰ _{-.001}	1.51	N/A	0.44	2.83	5/16 x 5/16 x 1-3/4	1/2-13 x 1.13
HI4662I	1.375 ⁺⁰ _{-.001}	1.51	2.76	0.44	2.94	5/16 x 5/16 x 1-3/4	1/2-13 x 1.13
HI4072I	1.625 ⁺⁰ _{-.001}	1.78	3.15	0.45	3.27	3/8 x 3/8 x 2-1/4	5/8-11 x 1.38
HI4082I	2.125 ⁺⁰ _{-.001}	2.34	3.94	0.64	4.06	1/2 x 1/2 x 2-5/8	3/4-10 x 1.61

Motor

Model	MOTOR HP	AB	AC	AG	FT	LG
HI4032I	0.25	4.58	6.38	6.99	0.71	14.66
	0.33	4.58	6.38	7.24	0.71	14.91
	0.50	4.58	6.38	7.74	0.71	15.41
	0.75	4.58	6.38	8.24	0.71	15.91
	1.00	5.56	7.68	9.22	0.88	17.06
	1.50	5.56	7.68	9.22	0.88	17.06
HI4042I	2.00	5.56	7.68	10.72	0.88	18.56
	0.25	4.58	6.38	6.99	0.55	14.83
	0.33	4.58	6.38	7.24	0.55	15.08
	0.50	4.58	6.38	7.74	0.55	15.58
	0.75	4.58	6.38	8.24	0.55	16.08
	1.00	5.56	7.68	9.22	0.73	17.24
	1.50	5.56	7.68	9.22	0.73	17.24
	2.00	5.56	7.68	10.72	0.73	18.74
	3.00	7.19	9.78	10.07	1.78	19.14
	5.00	7.19	9.78	11.57	1.78	20.64

Motor

Model	MOTOR HP	AB	AC	AG	FT	LG
HI4062I	0.75	4.58	6.38	8.24	0.71	17.35
	1.00	5.56	7.68	9.22	0.88	18.50
	1.50	5.56	7.68	9.22	0.88	18.50
	2.00	5.56	7.68	10.72	0.88	20.00
	3.00	7.19	9.78	10.07	1.94	20.41
	5.00	7.19	9.78	11.57	1.94	21.91
HI4662I	1.50	5.56	7.68	9.22	0.88	19.54
	2.00	5.56	7.68	10.72	0.88	21.04
	3.00	7.19	9.78	10.07	1.94	21.45
HI4072I	5.00	7.19	9.78	11.57	1.94	22.95
	2.00	5.56	7.68	10.72	0.57	22.08
	3.00	7.19	9.78	10.07	1.63	22.49
HI4082I	5.00	7.19	9.78	11.57	1.63	23.99
	3.00	7.19	9.78	10.07	1.47	24.53
	5.00	7.19	9.78	11.57	1.47	26.03

* See Page I-64 For Additional Output Shaft Diameters Available.

Dimensions subject to change without notice

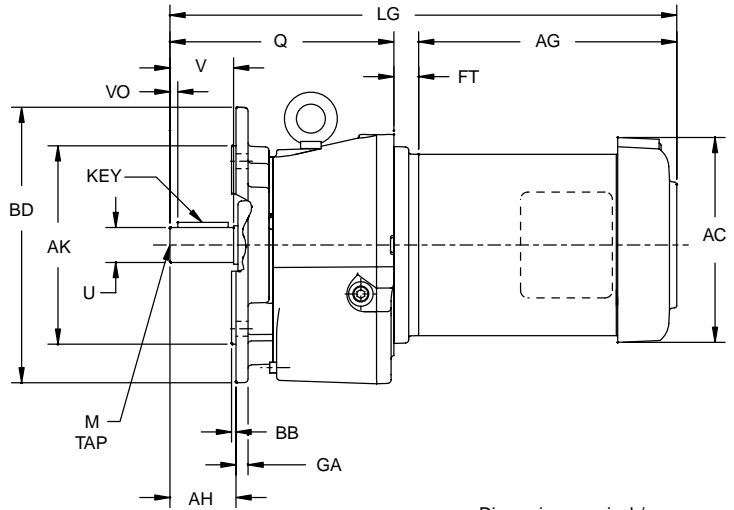
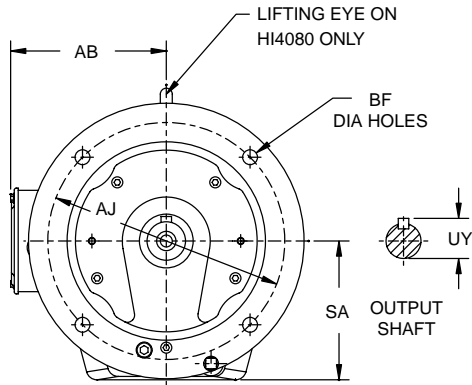
* Fan Guard protrudes below mounting surface of base



For safety and to comply with local and national safety codes, the purchaser or user must provide protective guards over all shaft extensions and devices mounted thereon.

DIMENSIONS SHOWN ARE FOR REFERENCE ONLY.
CERTIFIED PRINTS ARE AVAILABLE UPON REQUEST.

Integral Double Reduction



Dimensions are inch/ mm

Gearcase

Model	OA	Q	SA
HI4032K	6.30	6.96	3.15
	160	177	80
HI4042K	7.22	7.29	4.04
	183	185	103
HI4062K	8.92	8.40	4.96
	227	213	126
HI4662K	9.71	9.44	5.75
	247	240	146
HI4072K	10.93	10.79	5.94
	278	274	151
HI4082K	13.05	12.99	7.08
	331	330	180

Output Shaft

AH	AJ	AK	BB	BD	BF	GA
1.92	5.12	4.331 ^{+0.0003} _{-0.0024}	0.14	6.30	0.39	0.38
49	130	110 ⁺⁰ _{-0.054}	4	160	10	10
1.97	6.50	5.118 ⁺⁰ _{-0.002}	0.14	7.90	0.47	0.43
50	165	130 ^{-0.003} _{-0.054}	4	200	12	11
2.76	8.46	7.087 ^{-0.0004} _{-0.0029}	0.16	9.84	0.53	0.43
70	215	180 ⁺⁰ _{-0.064}	4	250	14	11
2.76	8.46	7.087 ^{-0.0004} _{-0.0029}	0.16	9.84	0.53	0.43
70	215	180 ⁺⁰ _{-0.064}	4	250	14	11
3.15	10.43	9.055 ^{+0.0001} _{-0.0027}	0.16	11.81	0.53	0.59
80	265	230 ⁺⁰ _{-0.072}	4	300	14	15
3.93	11.81	9.843 ^{-0.0005} _{-0.0025}	0.20	13.78	0.69	0.70
100	300	250 ⁺⁰ _{-0.051}	5	350	18	18

Output Shaft * - Cont.

Model	U	UY	V	VO	KEY	M
HI4032K	0.750 ⁺⁰ _{-0.001}	0.82	1.93	0.25	3/16 x 3/16 x 1-1/16	1/4-20 x 0.63
HI4042K	1.000 ⁺⁰ _{-0.001}	1.10	N/A	0.40	1/4 x 1/4 x 1-1/2	3/8-24 x 0.91
HI4062K	1.375 ⁺⁰ _{-0.001}	1.51	N/A	0.44	5/16 x 5/16 x 1-3/4	1/2-13 x 1.13
HI4662K	1.375 ⁺⁰ _{-0.001}	1.51	2.76	0.44	5/16 x 5/16 x 1-3/4	1/2-13 x 1.13
HI4072K	1.625 ⁺⁰ _{-0.001}	1.78	3.15	0.45	3/8 x 3/8 x 2-1/4	5/8-11 x 1.38
HI4082K	2.125 ⁺⁰ _{-0.001}	2.34	3.94	0.64	1/2 x 1/2 x 2-5/8	3/4-10 x 1.61

Motor

Model	MOTOR HP	AB	AC	AG	FT	LG
HI4032K	0.25	4.58	6.38	6.99	0.71	14.66
	0.33	4.58	6.38	7.24	0.71	14.91
	0.50	4.58	6.38	7.74	0.71	15.41
	0.75	4.58	6.38	8.24	0.71	15.91
	1.00	5.56	7.68	9.22	0.88	17.06
	1.50	5.56	7.68	9.22	0.88	17.06
HI4042K	2.00	5.56	7.68	10.72	0.88	18.56
	0.25	4.58	6.38	6.99	0.55	14.83
	0.33	4.58	6.38	7.24	0.55	15.08
	0.50	4.58	6.38	7.74	0.55	15.58
	0.75	4.58	6.38	8.24	0.55	16.08
	1.00	5.56	7.68	9.22	0.73	17.24
	1.50	5.56	7.68	9.22	0.73	17.24
	2.00	5.56	7.68	10.72	0.73	18.74
HI4082K	3.00	7.19	9.78	10.07	1.78	19.14
	5.00	7.19	9.78	11.57	1.78	20.64

Motor

Model	MOTOR HP	AB	AC	AG	FT	LG
HI4062K	0.75	4.58	6.38	8.24	0.71	17.35
	1.00	5.56	7.68	9.22	0.88	18.50
	1.50	5.56	7.68	9.22	0.88	18.50
	2.00	5.56	7.68	10.72	0.88	20.00
	3.00	7.19	9.78	10.07	1.94	20.41
	5.00	7.19	9.78	11.57	1.94	21.91
HI4662K	1.50	5.56	7.68	9.22	0.88	19.54
	2.00	5.56	7.68	10.72	0.88	21.04
	3.00	7.19	9.78	10.07	1.94	21.45
	5.00	7.19	9.78	11.57	1.94	22.95
HI4072K	2.00	5.56	7.68	10.72	0.57	22.08
	3.00	7.19	9.78	10.07	1.63	22.49
	5.00	7.19	9.78	11.57	1.63	23.99
HI4082K	3.00	7.19	9.78	10.07	1.47	24.53
	5.00	7.19	9.78	11.57	1.47	26.03

* See Page I-64 For Additional Output Shaft Diameters Available.

Dimensions subject to change without notice

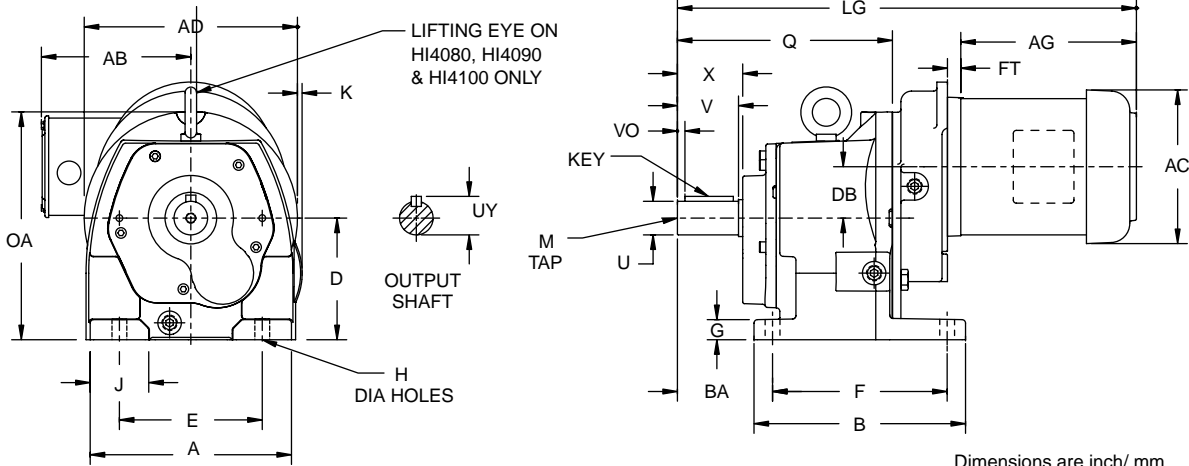


For safety and to comply with local and national safety codes, the purchaser or user must provide protective guards over all shaft extensions and devices mounted thereon.

HUB CITY POWERATIO® 4000 – HIGH EFFICIENCY HELICAL IN-LINE DRIVES

Integral Triple Reduction

DIMENSIONS SHOWN ARE FOR REFERENCE ONLY.
CERTIFIED PRINTS ARE AVAILABLE UPON REQUEST.



Dimensions are inch/ mm

Gearcase

Model	A	AD	B	BA	D	DB	E	F	G	H	J	K	OA	Q
HI4043I	5.72	6.61	6.30	2.95	3.54 ⁺⁰ _{-.02}	1.50	4.33	5.12	0.59	0.39	1.40	0.29	6.68	7.29
	145	168	160	75	90 ⁺⁰ _{-.5}	38	110	130	15	10	35	7	170	185
HI4063I	7.48	7.93	7.87	3.94	4.53 ⁺⁰ _{-.02}	1.91	5.32	6.50	0.75	0.53	2.18	N/A	8.48	8.40
	190	201	200	100	115 ⁺⁰ _{-.5}	49	135	165	19	14	55	N/A	215	213
HI4663I	8.14	8.50	9.13	3.94	5.12 ⁺⁰ _{-.02}	1.91	5.91	7.68	0.82	0.53	2.39	0.24	9.08	9.44
	207	216	232	100	130 ⁺⁰ _{-.5}	49	150	195	21	14	61	6	231	240
HI4073I	8.66	9.97	9.65	4.53	5.51 ⁺⁰ _{-.02}	1.91	6.69	8.07	0.98	0.69	2.16	N/A	10.47	10.79
	220	253	245	115	140 ⁺⁰ _{-.5}	49	170	205	25	18	55	N/A	266	274
HI4083I	11.34	11.96	12.59	5.51	7.09 ⁺⁰ _{-.02}	2.36	8.47	10.24	1.11	0.75	2.93	N/A	13.04	12.99
	288	304	320	140	180 ⁺⁰ _{-.5}	60	215	260	28	19	74	N/A	331	330
HI4093I	13.42	14.00	14.37	6.30	8.86 ⁺⁰ _{-.02}	2.87	9.84	12.21	1.38	0.91	3.55	0.45	15.84	16.41
	341	356	365	160	225 ⁺⁰ _{-.5}	73	250	310	35	23	90	11	402	417
HI4103I	15.25	16.08	17.32	7.28	9.84 ⁺⁰ _{-.02}	3.39	11.42	14.57	1.50	1.02	4.00	0.35	16.78	19.00
	387	408	440	185	250 ⁺⁰ _{-.5}	86	290	370	38	26	102	9	426	483

Output Shaft *

Model	U	UY	V	VO	X	KEY	M
HI4043I	1.000 ⁺⁰ _{-.001}	1.10	N/A	0.40	2.12	1/4 x 1/4 x 1-1/2	3/8-24 x 0.91
HI4063I	1.375 ⁺⁰ _{-.001}	1.51	N/A	0.44	2.83	5/16 x 5/16 x 1-3/4	1/2-13 x 1.13
HI4663I	1.375 ⁺⁰ _{-.001}	1.51	2.76	0.44	2.94	5/16 x 5/16 x 1-3/4	1/2-13 x 1.13
HI4073I	1.625 ⁺⁰ _{-.001}	1.78	3.15	0.45	3.27	3/8 x 3/8 x 2-1/4	5/8-11 x 1.38
HI4083I	2.125 ⁺⁰ _{-.001}	2.34	3.94	0.64	4.06	1/2 x 1/2 x 2-5/8	3/4-10 x 1.61
HI4093I	2.375 ⁺⁰ _{-.001}	2.64	4.72	0.70	4.95	5/8 x 5/8 x 3-3/4	3/4-10 x 1.61
HI4103I	2.875 ⁺⁰ _{-.001}	3.19	5.51	0.67	5.62	3/4 x 3/4 x 4-1/8	3/4-10 x 1.61

Motor

Model	MOTOR HP	AB	AC	AG	FT	LG
HI4043I	0.25	4.58	6.38	6.99	1.50	16.37
	0.33	4.58	6.38	7.24	1.50	16.62
	0.50	4.58	6.38	7.74	1.50	17.12
	0.75	4.58	6.38	8.24	1.50	17.62
HI4063I	0.25	4.58	6.38	6.99	0.55	17.99
	0.33	4.58	6.38	7.24	0.55	18.24
	0.50	4.58	6.38	7.74	0.55	18.74
	0.75	4.58	6.38	8.24	0.55	19.24
	1.00	5.56	7.68	9.22	0.73	20.40
	1.50	5.56	7.68	9.22	0.73	20.40
HI4663I	0.25	4.58	6.38	6.99	0.55	19.03
	0.33	4.58	6.38	7.24	0.55	19.28
	0.50	4.58	6.38	7.74	0.55	19.78
	0.75	4.58	6.38	8.24	0.55	20.28
	1.00	5.56	7.68	9.22	0.73	21.44
	1.50	5.56	7.68	9.22	0.73	21.44

Motor

Model	MOTOR HP	AB	AC	AG	FT	LG
HI4073I	0.25	4.58	6.38	6.99	0.55	19.90
	0.33	4.58	6.38	7.24	0.55	20.15
	0.50	4.58	6.38	7.74	0.55	20.65
	0.75	4.58	6.38	8.24	0.55	21.15
	1.00	5.56	7.68	9.22	0.73	22.31
	1.50	5.56	7.68	9.22	0.73	22.31
HI4083I	2.00	5.56	7.68	10.72	0.73	23.81
	3.00	7.19	9.78	10.07	1.78	24.21
	0.75	4.58	6.38	8.24	0.71	23.12
	1.00	5.56	7.68	9.22	0.88	24.27
	1.50	5.56	7.68	9.22	0.88	24.27
HI4093I	2.00	5.56	7.68	10.72	0.88	25.77
	3.00	7.19	9.78	10.07	1.94	26.18
	5.00	7.19	9.78	11.57	1.94	27.68
HI4103I	1.50	5.56	7.68	9.22	0.57	28.73
	2.00	5.56	7.68	10.72	0.57	30.23
	3.00	7.19	9.78	10.07	1.63	30.64

* See Page I-64 For Additional Output Shaft Diameters Available.

Dimensions subject to change without notice



For safety and to comply with local and national safety codes, the purchaser or user must provide protective guards over all shaft extensions and devices mounted thereon.

I-40

CALL: (605) 225-0360

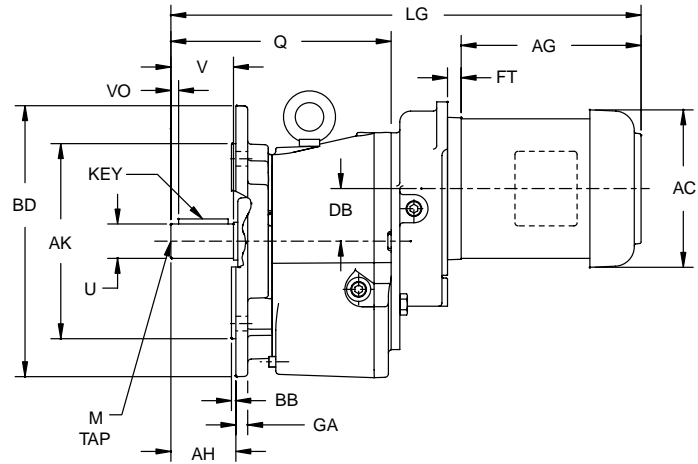
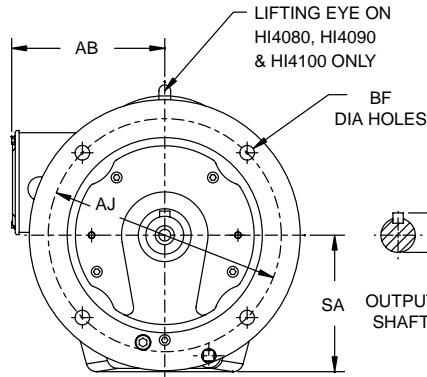


FAX: (605) 225-0567

VISIT OUR WEB SITE AT WWW.CLARKTR.COM

DIMENSIONS SHOWN ARE FOR REFERENCE ONLY.
CERTIFIED PRINTS ARE AVAILABLE UPON REQUEST.

Integral Triple Reduction



Dimensions are inch/ mm

Gearcase

Model	OA	Q	SA	DB
HI4043K	7.22	7.29	4.04	1.50
	183	185	103	38
HI4063K	8.92	8.40	4.96	1.91
	227	213	126	49
HI4663K	9.71	9.44	5.75	1.91
	247	240	146	49
HI4073K	10.93	10.79	5.94	1.91
	278	274	151	49
HI4083K	13.05	12.99	7.08	2.36
	331	330	180	60
HI4093K	16.42	16.41	9.45	2.87
	417	417	240	73
HI4103K	17.98	19.00	11.02	3.39
	457	483	280	86

Output Shaft

AH	AJ	AK	BB	BD	BF	GA
1.97	6.50	5.118 ⁺⁰ _{-.002}	0.14	7.90	0.47	0.43
50	165	130 ^{-.003} _{-.054}	4	200	12	11
2.76	8.46	7.087 ^{-.0004} _{-.0029}	0.16	9.84	0.53	0.43
70	215	180 ⁺⁰ _{-.064}	4	250	14	11
2.76	8.46	7.087 ^{-.0004} _{-.0029}	0.16	9.84	0.53	0.43
70	215	180 ⁺⁰ _{-.064}	4	250	14	11
3.15	10.43	9.055 ^{+0.0001} _{-.0027}	0.16	11.81	0.53	0.59
80	265	230 ⁺⁰ _{-.072}	4	300	14	15
3.93	11.81	9.843 ^{+.0005} _{-.0025}	0.20	13.78	0.69	0.70
100	300	250 ⁺⁰ _{-.051}	5	350	18	18
4.72	15.75	13.780 ^{-.0005} _{-.0032}	0.19	17.74	0.75	1.02
120	400	350 ⁺⁰ _{-.070}	5	451	19	26
5.51	15.75	13.780 ^{-.0005} _{-.0032}	0.20	17.72	0.75	1.00
140	400	350 ⁺⁰ _{-.070}	5	450	19	25.4

Output Shaft * - Cont.

Model	U	UY	V	VO	KEY	M
HI4043K	1.000 ⁺⁰ _{-.001}	1.10	N/A	0.40	1/4 x 1/4 x 1-1/2	3/8-24 x 0.91
HI4063K	1.375 ⁺⁰ _{-.001}	1.51	N/A	0.44	5/16 x 5/16 x 1-3/4	1/2-13 x 1.13
HI4663K	1.375 ⁺⁰ _{-.001}	1.51	2.76	0.44	5/16 x 5/16 x 1-3/4	1/2-13 x 1.13
HI4073K	1.625 ⁺⁰ _{-.001}	1.78	3.15	0.45	3/8 x 3/8 x 2-1/4	5/8-11 x 1.38
HI4083K	2.125 ⁺⁰ _{-.001}	2.34	3.94	0.64	1/2 x 1/2 x 2-5/8	3/4-10 x 1.61
HI4093K	2.375 ⁺⁰ _{-.001}	2.64	4.72	0.70	5/8 x 5/8 x 3-3/4	3/4-10 x 1.61
HI4103K	2.875 ⁺⁰ _{-.001}	3.19	5.51	0.67	3/4 x 3/4 x 4-1/8	3/4-10 x 1.61

Motor

Model	MOTOR HP	AB	AC	AG	FT	LG
HI4043K	0.25	4.58	6.38	6.99	1.50	16.37
	0.33	4.58	6.38	7.24	1.50	16.62
	0.50	4.58	6.38	7.74	1.50	17.12
	0.75	4.58	6.38	8.24	1.50	17.62
HI4063K	0.25	4.58	6.38	6.99	0.55	17.99
	0.33	4.58	6.38	7.24	0.55	18.24
	0.50	4.58	6.38	7.74	0.55	18.74
	0.75	4.58	6.38	8.24	0.55	19.24
	1.00	5.56	7.68	9.22	0.73	20.40
	1.50	5.56	7.68	9.22	0.73	20.40
HI4663K	0.25	4.58	6.38	6.99	0.55	19.03
	0.33	4.58	6.38	7.24	0.55	19.28
	0.50	4.58	6.38	7.74	0.55	19.78
	0.75	4.58	6.38	8.24	0.55	20.28
	1.00	5.56	7.68	9.22	0.73	21.44
	1.50	5.56	7.68	9.22	0.73	21.44

Motor

Model	MOTOR HP	AB	AC	AG	FT	LG
HI4073K	0.25	4.58	6.38	6.99	0.55	19.90
	0.33	4.58	6.38	7.24	0.55	20.15
	0.50	4.58	6.38	7.74	0.55	20.65
	0.75	4.58	6.38	8.24	0.55	21.15
	1.00	5.56	7.68	9.22	0.73	22.31
	1.50	5.56	7.68	9.22	0.73	22.31
HI4083K	2.00	5.56	7.68	10.72	0.73	23.81
	3.00	7.19	9.78	10.07	1.78	24.21
	0.75	4.58	6.38	8.24	0.71	23.12
	1.00	5.56	7.68	9.22	0.88	24.27
	1.50	5.56	7.68	9.22	0.88	24.27
HI4093K	2.00	5.56	7.68	10.72	0.88	25.77
	3.00	7.19	9.78	10.07	1.94	26.18
	5.00	7.19	9.78	11.57	1.94	27.68
	1.50	5.56	7.68	9.22	0.57	28.73
HI4103K	2.00	5.56	7.68	10.72	0.57	30.23
	3.00	7.19	9.78	10.07	1.63	30.64
	5.00	7.19	9.78	11.57	1.63	32.14

* See Page I-64 For Additional Output Shaft Diameters Available.

Dimensions subject to change without notice



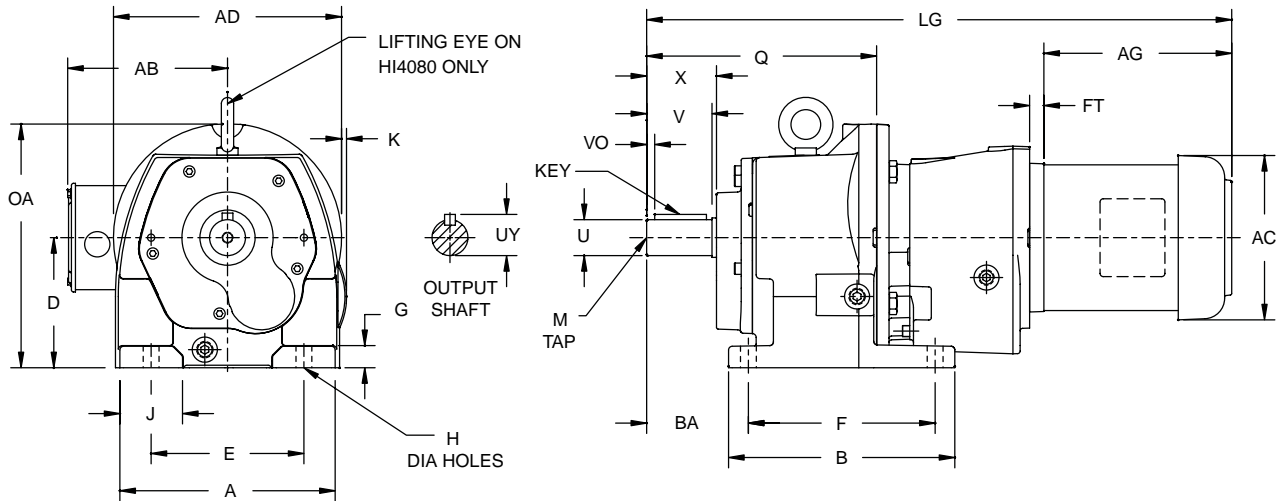
For safety and to comply with local and national safety codes, the purchaser or user must provide protective guards over all shaft extensions and devices mounted thereon.

Gearmotor Dimensions

HUB CITY POWERATIO® 4000 – HIGH EFFICIENCY HELICAL IN-LINE DRIVES

Integral Quad Reduction

DIMENSIONS SHOWN ARE FOR REFERENCE ONLY.
CERTIFIED PRINTS ARE AVAILABLE UPON REQUEST.



Dimensions are inch/ mm

Gearcase

Model	A	AD	B	BA	D	E	F	G	H	J	K	OA	Q
HI4064I	7.48	7.93	7.87	3.94	4.53 ⁺⁰ / _{-.02}	5.32	6.50	0.75	0.53	2.18	N/A	8.48	8.40
	190	201	200	100	115 ⁺⁰ / _{-.5}	135	165	19	14	55	N/A	215	213
HI4664I	8.14	8.50	9.13	3.94	5.12 ⁺⁰ / _{-.02}	5.91	7.68	0.82	0.53	2.39	0.24	9.08	9.44
	207	216	232	100	130 ⁺⁰ / _{-.5}	150	195	21	14	61	6	231	240
HI4074I	8.66	9.97	9.65	4.53	5.51 ⁺⁰ / _{-.02}	6.69	8.07	0.98	0.69	2.16	N/A	10.47	10.79
	220	253	245	115	140 ⁺⁰ / _{-.5}	170	205	25	18	55	N/A	266	274
HI4084I	11.34	11.96	12.59	5.51	7.09 ⁺⁰ / _{-.02}	8.47	10.24	1.11	0.75	2.93	N/A	13.04	12.99
	288	304	320	140	180 ⁺⁰ / _{-.5}	215	260	28	19	74	N/A	331	330

Output Shaft *

Model	U	UY	V	VO	X	KEY	M
HI4064I	1.375 ⁺⁰ / _{-.001}	1.51	N/A	0.44	2.83	5/16 x 5/16 x 1-3/4	1/2-13 x 1.13
HI4664I	1.375 ⁺⁰ / _{-.001}	1.51	2.76	0.44	2.94	5/16 x 5/16 x 1-3/4	1/2-13 x 1.13
HI4074I	1.625 ⁺⁰ / _{-.001}	1.78	3.15	0.45	3.27	3/8 x 3/8 x 2-1/4	5/8-11 x 1.38
HI4084I	2.125 ⁺⁰ / _{-.001}	2.34	3.94	0.64	4.06	1/2 x 1/2 x 2-5/8	3/4-10 x 1.61

Motor

Model	MOTOR HP	AB	AC	AG	FT	LG
HI4064I	0.25	4.58	6.38	6.99	0.55	21.26
	0.33	4.58	6.38	7.24	0.55	21.51
HI4664I	0.25	4.58	6.38	6.99	0.55	22.30
	0.33	4.58	6.38	7.24	0.55	22.55
HI4074I	0.25	4.58	6.38	6.99	0.71	24.13
	0.33	4.58	6.38	7.24	0.71	24.38
	0.50	4.58	6.38	7.74	0.71	24.88
HI4084I	0.25	4.58	6.38	6.99	0.39	28.01
	0.33	4.58	6.38	7.24	0.39	28.26
	0.50	4.58	6.38	7.74	0.39	28.76
	0.75	4.58	6.38	8.24	0.39	29.26

* See Page I-64 For Additional Output Shaft Diameters Available.

Dimensions subject to change without notice

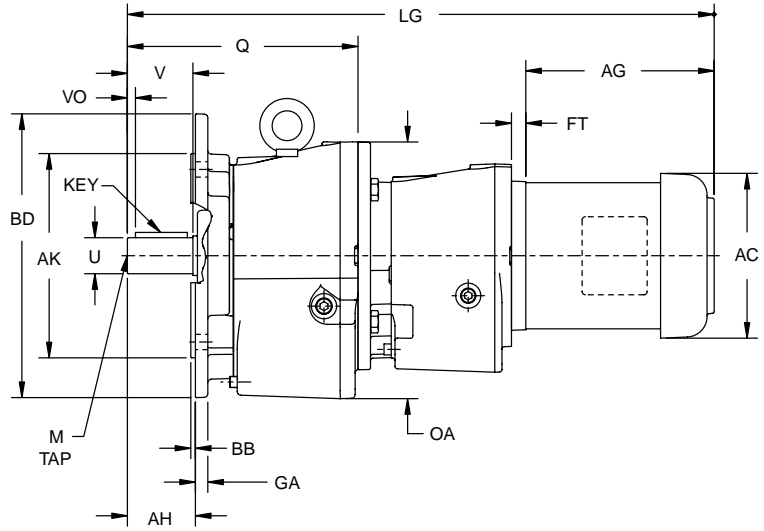
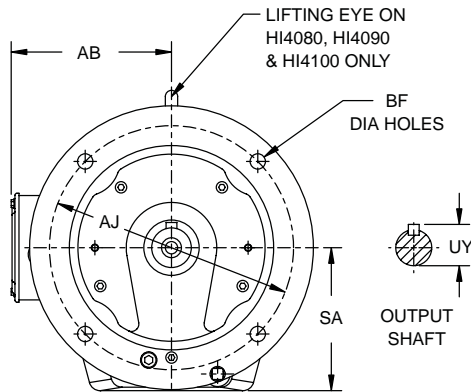


For safety and to comply with local and national safety codes, the purchaser or user must provide protective guards over all shaft extensions and devices mounted thereon.



DIMENSIONS SHOWN ARE FOR REFERENCE ONLY.
CERTIFIED PRINTS ARE AVAILABLE UPON REQUEST.

Integral Quad Reduction



Dimensions are inch/ mm

Gearcase

Model	OA	Q	SA
HI4064K	8.92	8.40	4.96
	227	213	126
HI4664K	9.71	9.44	5.75
	247	240	146
HI4074K	10.93	10.79	5.94
	278	274	151
HI4084K	13.05	12.99	7.08
	331	330	180

Output Shaft

AH	AJ	AK	BB	BD	BF	GA
2.76	8.46	AK	0.16	9.84	0.53	0.43
70	215	180 ⁺⁰ _{-.064}	4	250	14	11
2.76	8.46	7.087 ^{-0.0004} _{-.0029}	0.16	9.84	0.53	0.43
70	215	180 ⁺⁰ _{-.064}	4	250	14	11
3.15	10.43	9.055 ^{+0.0001} _{-.0027}	0.16	11.81	0.53	0.59
80	265	230 ⁺⁰ _{-.072}	4	300	14	15
3.93	11.81	9.843 ^{-0.0005} _{-.0025}	0.20	13.78	0.69	0.70
100	300	250 ⁺⁰ _{-.051}	5	350	18	18

Output Shaft * - Cont.

Model	U	UY	V	VO	KEY	M
HI4064K	1.375 ⁺⁰ _{-.001}	1.51	N/A	0.44	5/16 x 5/16 x 1-3/4	1/2-13 x 1.13
HI4664K	1.375 ⁺⁰ _{-.001}	1.51	2.76	0.44	5/16 x 5/16 x 1-3/4	1/2-13 x 1.13
HI4074K	1.625 ⁺⁰ _{-.001}	1.78	3.15	0.45	3/8 x 3/8 x 2-1/4	5/8-11 x 1.38
HI4084K	2.125 ⁺⁰ _{-.001}	2.34	3.94	0.64	1/2 x 1/2 x 2-5/8	3/4-10 x 1.61

Motor

Model	MOTOR HP	AB	AC	AG	FT	LG
HI4064K	0.25	4.58	6.38	6.99	0.55	21.26
	0.33	4.58	6.38	7.24	0.55	21.51
HI4664K	0.25	4.58	6.38	6.99	0.55	22.30
	0.33	4.58	6.38	7.24	0.55	22.55
HI4074K	0.25	4.58	6.38	6.99	0.71	24.13
	0.33	4.58	6.38	7.24	0.71	24.38
	0.50	4.58	6.38	7.74	0.71	24.88
HI4084K	0.25	4.58	6.38	6.99	0.39	28.01
	0.33	4.58	6.38	7.24	0.39	28.26
	0.50	4.58	6.38	7.74	0.39	28.76
	0.75	4.58	6.38	8.24	0.39	29.26

* See Page I-64 For Additional Output Shaft Diameters Available.

Dimensions subject to change without notice



For safety and to comply with local and national safety codes, the purchaser or user must provide protective guards over all shaft extensions and devices mounted thereon.

HUB CITY POWERATIO® 4000 – HIGH EFFICIENCY HELICAL IN-LINE DRIVES

Ratings @ 1750 RPM Input 1.00 Service Factor

HI4032						
Ratio	Output Speed	Input H.P.	Output Torque	Output OHL	Input OHL	Output Thrust
2.39	731	4.63	383	200	105	260
2.87	609	4.20	417	200	105	270
4.02	435	3.49	486	210	105	300
4.86	360	3.17	533	280	105	340
5.84	300	2.86	577	300	105	360
6.67	262	2.44	564	350	105	400
7.06	248	2.51	612	220	105	350
8.17	214	2.00	565	410	105	440
8.66	202	2.17	649	240	105	370
10.09	173	1.86	649	290	105	410
11.21	156	1.77	687	400	105	470
11.96	146	1.55	639	360	105	450
14.33	122	1.37	680	420	105	470
17.59	99	1.15	700	420	105	470
19.67	89	1.05	715	420	105	470
20.49	85	1.03	730	420	105	470
24.28	72	0.87	732	420	105	470
28.12	62	0.75	726	420	105	470
33.32	53	0.63	726	420	105	470
37.85	46	0.56	735	420	105	470
43.10	41	0.50	739	420	105	470
51.93	34	0.41	730	420	105	470
59.14	30	0.36	730	420	105	470
HI4042						
2.63	665	11.2	1020	530	140	610
2.95	593	10.4	1060	550	140	630
3.31	529	9.61	1100	570	140	650
3.72	470	9.10	1170	580	140	660
4.21	416	8.79	1280	590	140	650
4.78	366	7.75	1280	620	140	690
5.47	320	6.77	1280	650	140	730
5.87	298	6.31	1280	680	140	780
6.13	285	6.79	1440	710	140	840
6.86	255	6.16	1460	740	140	880
7.70	227	5.56	1480	770	140	920
8.67	202	5.17	1550	790	140	950
9.80	179	4.75	1610	820	140	980
11.14	157	4.41	1700	850	140	1010
12.74	137	3.95	1740	890	140	1060
13.67	128	3.77	1780	920	140	1100
16.66	105	3.13	1800	980	140	1250
20.77	84	2.52	1810	1050	140	1250
25.04	70	2.10	1820	1150	140	1250
28.79	61	1.84	1830	1150	140	1250
36.56	48	1.46	1840	1150	140	1250
44.10	40	1.21	1850	1150	140	1250
50.47	35	1.01	1770	1150	140	1250
HI4043						
60.54	28.9	0.90	1850	1150	105	1250
72.63	24.1	0.75	1850	1150	105	1250
79.17	22.1	0.69	1850	1150	105	1250
92.74	18.9	0.59	1850	1150	105	1250
100.76	17.4	0.54	1850	1150	105	1250
115.15	15.2	0.47	1850	1150	105	1250
121.28	14.4	0.45	1850	1150	105	1250
133.14	13.1	0.41	1850	1150	105	1250
154.35	11.3	0.35	1850	1150	105	1250
176.40	9.9	0.31	1850	1150	105	1250
203.96	8.6	0.27	1850	1150	105	1250
239.42	7.3	0.23	1850	1150	105	1250

* Integral Gearmotors - Specify Mounting Type I or K, and motor horsepower (See page I-6).

Note: Quad reduction units are manufactured to order.

* Motorized Reducers - Specify Mounting Type E or G, and Motor Part number.

All torque values listed in inch-pounds, all overhung load and thrust load values listed in pounds.

The point of application of OHL is considered to be applied at the midpoint of shaft extension.

OHL and thrust ratings cannot be applied simultaneously. Consult the factory for applications with combined OHL and thrust load.

At speeds above 1750 RPM, units may become thermally limited. For extended operation, limit HP to 1750 RPM rating.

Ratings @ 1750 RPM Input 1.00 Service Factor

HI4062						
Ratio	Output Speed	Input H.P.	Output Torque	Output OHL	Input OHL	Output Thrust
2.57	681	18.6	1650	960	200	890
3.08	568	16.5	1760	1010	200	930
3.90	449	13.9	1880	1090	200	1000
4.52	387	12.6	1970	1140	200	1050
5.98	293	15.8	3260	1080	200	870
7.16	244	13.5	3340	1180	200	990
9.06	193	11.0	3450	1290	200	1110
10.52	166	10.1	3680	1340	200	1140
13.75	127	8.22	3910	1470	200	1260
16.43	107	7.04	4000	1560	200	1370
17.50	100	6.63	4010	1600	200	1400
20.00	88	5.83	4030	1600	200	1400
21.47	82	5.44	4040	1600	200	1400
25.00	70	4.69	4050	1600	200	1400
27.14	64	4.33	4060	1600	200	1400
29.62	59	3.97	4070	1600	200	1400
32.50	54	3.64	4090	1600	200	1400
35.91	48.7	3.30	4100	1600	200	1400
45.00	38.9	2.64	4110	1600	200	1400
51.25	34.1	2.33	4120	1600	200	1400
HI4063						
55.79	31.4	2.18	4120	1600	140	1400
61.69	28.4	1.97	4120	1600	140	1400
68.00	25.7	1.79	4120	1600	140	1400
75.71	23.1	1.62	4140	1600	140	1400
84.76	20.6	1.44	4140	1600	140	1400
92.29	19.0	1.33	4140	1600	140	1400
102.22	17.1	1.20	4140	1600	140	1400
115.03	15.2	1.06	4140	1600	140	1400
138.73	12.6	0.88	4140	1600	140	1400
149.23	11.7	0.82	4140	1600	140	1400
159.46	11.0	0.77	4140	1600	140	1400
180.00	9.7	0.68	4140	1600	140	1400
206.00	8.5	0.59	4140	1600	140	1400
244.29	7.2	0.50	4140	1600	140	1400
279.57	6.3	0.44	4140	1600	140	1400
HI4064						
293.47	5.96	0.43	4140	1600	140	1400
318.50	5.49	0.39	4140	1600	140	1400
357.70	4.89	0.35	4140	1600	140	1400
399.90	4.38	0.31	4140	1600	140	1400
457.48	3.83	0.27	4140	1600	140	1400
537.72	3.25	0.23	4140	1600	140	1400
598.25	2.93	0.21	4140	1600	140	1400
679.78	2.57	0.18	4140	1600	140	1400
785.00	2.23	0.16	4140	1600	140	1400
899.32	1.95	0.14	4140	1600	140	1400
1034	1.69	0.12	4140	1600	140	1400
1197	1.46	0.10	4140	1600	140	1400
1370	1.28	0.09	4140	1600	140	1400
1584	1.10	0.08	4140	1600	140	1400
1812	0.97	0.07	4140	1600	140	1400
1985	0.88	0.06	4140	1600	140	1400
2260	0.77	0.06	4140	1600	140	1400
2587	0.68	0.05	4140	1600	140	1400

Reducer Ratings

* Integral Gearmotors - Specify Mounting Type I or K, and motor horsepower (See page I-6).

* Motorized Reducers - Specify Mounting Type E or G, and Motor Part number.

All torque values listed in inch-pounds, all overhung load and thrust load values listed in pounds.

The point of application of OHL is considered to be applied at the midpoint of shaft extension.

OHL and thrust ratings cannot be applied simultaneously. Consult the factory for applications with combined OHL and thrust load.

At speeds above 1750 RPM, units may become thermally limited. For extended operation, limit HP to 1750 RPM rating.

Note: Quad reduction units are manufactured to order.

HUB CITY POWERATIO® 4000 – HIGH EFFICIENCY HELICAL IN-LINE DRIVES

Ratings @1750 RPM Input 1.00 Service Factor

HI4662						
Ratio	Output Speed	Input H.P.	Output Torque	Output OHL	Input OHL	Output Thrust
2.41	726	26.9	2240	1230	200	1160
2.71	646	25.2	2360	1270	200	1190
3.05	574	23.5	2480	1310	200	1220
3.30	530	22.6	2580	1330	200	1240
3.73	469	20.9	2690	1370	200	1260
4.05	432	19.7	2760	1420	200	1320
4.61	380	18.0	2870	1470	200	1360
5.28	331	16.3	2970	1540	200	1430
5.88	298	18.1	3680	1550	200	1430
6.61	265	16.4	3750	1640	200	1500
7.44	235	15.3	3930	1690	200	1500
8.05	217	15.0	4180	1700	200	1500
9.10	192	13.7	4300	1700	200	1500
9.89	177	13.0	4430	1700	200	1500
11.25	156	12.0	4660	1700	200	1500
12.88	136	10.8	4810	1700	200	1500
15.61	112	9.32	5030	1700	200	1500
18.25	95.9	8.24	5200	1700	200	1500
21.65	80.8	6.99	5230	1700	200	1500
26.19	66.8	5.81	5260	1700	200	1500
32.53	53.8	4.71	5300	1700	200	1500
38.39	45.6	4.01	5320	1700	200	1500
46.38	37.7	3.33	5340	1700	200	1500
51.57	33.9	3.00	5350	1700	200	1500
HI4663						
56.30	31.1	2.74	5220	1700	140	1500
60.40	29.0	2.63	5370	1700	140	1500
65.07	26.9	2.44	5370	1700	140	1500
73.94	23.7	2.15	5370	1700	140	1500
84.59	20.7	1.88	5370	1700	140	1500
91.77	19.1	1.73	5370	1700	140	1500
110.67	15.8	1.43	5370	1700	140	1500
127.22	13.8	1.25	5370	1700	140	1500
137.88	12.7	1.15	5370	1700	140	1500
161.57	10.8	1.00	5370	1700	140	1500
191.13	9.2	0.83	5370	1700	140	1500
223.03	7.8	0.71	5370	1700	140	1500
242.75	7.2	0.65	5370	1700	140	1500
292.80	6.0	0.54	5370	1700	140	1500
335.09	5.2	0.47	5370	1700	140	1500
HI4664						
357.93	4.89	0.45	5370	1700	140	1500
414.47	4.22	0.39	5370	1700	140	1500
444.68	3.94	0.36	5370	1700	140	1500
489.11	3.58	0.33	5370	1700	140	1500
524.75	3.33	0.31	5370	1700	140	1500
574.33	3.05	0.28	5370	1700	140	1500
655.84	2.67	0.25	5370	1700	140	1500
753.85	2.32	0.21	5370	1700	140	1500
797.27	2.19	0.20	5370	1700	140	1500
859.20	2.04	0.19	5370	1700	140	1500
963.16	1.82	0.17	5370	1700	140	1500
1071	1.63	0.15	5370	1700	140	1500
1189	1.47	0.14	5370	1700	140	1500
1335	1.31	0.12	5370	1700	140	1500
1485	1.18	0.11	5370	1700	140	1500
1693	1.03	0.10	5370	1700	140	1500
1886	0.93	0.09	5370	1700	140	1500
2045	0.86	0.08	5370	1700	140	1500
2341	0.75	0.07	5370	1700	140	1500
2603	0.67	0.06	5370	1700	140	1500

* Integral Gearmotors - Specify Mounting Type I or K, and motor horsepower (See page I-6).

* Motorized Reducers - Specify Mounting Type E or G, and Motor Part number.

All torque values listed in inch-pounds, all overhung load and thrust load values listed in pounds.

The point of application of OHL is considered to be applied at the midpoint of shaft extension.

OHL and thrust ratings cannot be applied simultaneously. Consult the factory for applications with combined OHL and thrust load.

At speeds above 1750 RPM, units may become thermally limited. For extended operation, limit HP to 1750 RPM rating.

Note: Quad reduction units are manufactured to order.

Ratings @1750 RPM Input 1.00 Service Factor

HI4072						
Ratio	Output Speed	Input H.P.	Output Torque	Output OHL	Input OHL	Output Thrust
2.39	732.2	28.6	2360	1280	385	1400
2.67	655.4	28.5	2630	1340	385	1500
2.99	585.3	27.2	2810	1350	385	1580
3.22	543.5	25.5	2840	1350	385	1580
3.62	483.4	23.0	2880	1450	385	1580
3.92	446.4	21.8	2960	1550	385	1580
4.44	394.1	20.0	3070	1620	385	1580
5.06	345.8	18.3	3200	1640	385	1580
6.01	291.2	25.2	5230	1685	385	1580
6.71	260.8	23.3	5400	1685	385	1580
7.50	233.3	21.4	5560	1685	385	1580
8.09	216.3	20.3	5680	1685	385	1580
9.09	192.5	18.6	5860	1710	385	1580
9.85	177.7	17.6	6000	1710	385	1580
11.15	157.0	15.7	6050	1780	385	1580
12.71	137.7	14.5	6370	1830	385	1580
17.85	98.0	11.2	6900	2030	385	1620
21.10	82.9	10.0	7260	2120	385	1620
25.44	68.8	8.25	7260	2150	385	1620
31.51	55.5	6.66	7260	2200	385	1620
37.11	47.2	5.66	7260	2230	385	1620
44.75	39.1	4.69	7260	2240	385	1620
49.72	35.2	4.22	7260	2240	385	1620
HI4073						
50.87	34.4	4.22	7260	2240	140	1620
55.74	31.4	3.85	7260	2240	140	1620
57.81	30.3	3.71	7260	2240	140	1620
63.01	27.8	3.40	7260	2240	140	1620
66.13	26.5	3.24	7260	2240	140	1620
70.95	24.7	3.02	7260	2240	140	1620
71.61	24.4	2.99	7260	2240	140	1620
81.92	21.4	2.62	7260	2240	140	1620
86.48	20.2	2.48	7260	2240	140	1620
87.89	19.9	2.44	7260	2240	140	1620
107.12	16.3	2.00	7260	2240	140	1620
130.00	13.5	1.65	7260	2240	140	1620
133.53	13.1	1.61	7260	2240	140	1620
149.43	11.7	1.44	7260	2240	140	1620
161.04	10.9	1.33	7260	2240	140	1620
185.10	9.5	1.16	7260	2240	140	1620
189.79	9.2	1.13	7260	2240	140	1620
228.92	7.6	0.94	7260	2240	140	1620
235.09	7.4	0.91	7260	2240	140	1620
261.99	6.7	0.82	7260	2240	140	1620
283.56	6.2	0.76	7260	2240	140	1620
324.52	5.4	0.66	7260	2240	140	1620
HI4074						
344.84	5.1	0.62	7260	2240	200	1620
356.92	4.9	0.60	7260	2240	200	1620
400.36	4.4	0.54	7260	2240	200	1620
445.13	3.9	0.48	7260	2240	200	1620
546.12	3.2	0.39	7260	2240	200	1620
649.47	2.7	0.33	7260	2240	200	1620
803.08	2.2	0.27	7260	2240	200	1620
855.21	2.0	0.25	7260	2240	200	1620
1007.34	1.74	0.21	7260	2240	200	1620
1099.10	1.59	0.20	7260	2240	200	1620

Reducer Ratings

* Integral Gearmotors - Specify Mounting Type I or K, and motor horsepower (See page I-6).

Note: Quad reduction units are manufactured to order.

* Motorized Reducers - Specify Mounting Type E or G, and Motor Part number.

All torque values listed in inch-pounds, all overhung load and thrust load values listed in pounds.

The point of application of OHL is considered to be applied at the midpoint of shaft extension.

OHL and thrust ratings cannot be applied simultaneously. Consult the factory for applications with combined OHL and thrust load.

At speeds above 1750 RPM, units may become thermally limited. For extended operation, limit HP to 1750 RPM rating.

HUB CITY POWERATIO® 4000 – HIGH EFFICIENCY HELICAL IN-LINE DRIVES

Ratings @ 1750 RPM Input 1.00 Service Factor

HI4074 cont.						
Ratio	Output Speed	Input H.P.	Output Torque	Output OHL	Input OHL	Output Thrust
1206.15	1.45	0.18	7260	2240	200	1620
1472.57	1.19	0.15	7260	2240	200	1620
1670.06	1.05	0.13	7260	2240	200	1620
1785.51	0.98	0.12	7260	2240	200	1620
2237.54	0.78	0.10	7260	2240	200	1620
HI4082						
2.39	731	53.8	4450	1820	595	1850
2.67	655	50.5	4660	1830	595	1850
2.99	585	47.2	4880	1840	595	1850
3.22	543	44.9	5000	1840	595	1850
3.62	483	41.8	5230	1840	595	1850
3.77	464	40.4	5270	1850	595	1850
4.26	411	37.3	5490	1860	595	1850
5.06	346	32.9	5750	1880	595	1850
6.01	291	45.5	9450	1900	595	1850
6.71	261	42.6	9890	1980	595	1850
7.50	233	40.0	10360	2080	595	1850
8.09	216	38.0	10630	2100	595	1850
9.09	193	35.3	11100	2140	595	1850
9.46	185	34.2	11200	2150	595	1850
10.69	164	31.5	11650	2200	595	1850
12.71	138	27.7	12190	2350	595	1850
17.85	98	21.4	13200	2500	595	1950
21.10	83	18.2	13260	2750	595	1950
25.44	69	15.1	13300	3000	595	2400
31.51	56	12.2	13330	3400	595	2400
44.75	39	8.65	13380	3800	595	2400
49.72	35	7.80	13400	3800	595	2400
HI4083						
53.50	32.7	7.56	13700	3800	200	2400
57.11	30.6	7.09	13700	3800	200	2400
66.27	26.4	6.11	13700	3800	200	2400
69.95	25.0	5.79	13700	3800	200	2400
83.58	20.9	4.84	13700	3800	200	2400
86.65	20.2	4.67	13700	3800	200	2400
89.03	19.7	4.55	13700	3800	200	2400
103.53	16.9	3.91	13700	3800	200	2400
110.28	15.9	3.67	13700	3800	200	2400
126.03	13.9	3.21	13700	3800	200	2400
135.30	12.9	2.99	13700	3800	200	2400
138.08	12.7	2.93	13700	3800	200	2400
150.66	11.6	2.69	13700	3800	200	2400
157.54	11.1	2.57	13700	3800	200	2400
165.33	10.6	2.45	13700	3800	200	2400
171.04	10.2	2.37	13700	3800	200	2400
182.68	9.6	2.22	13700	3800	200	2400
186.62	9.4	2.17	13700	3800	200	2400
204.80	8.5	1.98	13700	3800	200	2400
226.28	7.7	1.79	13700	3800	200	2400
228.92	7.6	1.77	13700	3800	200	2400
260.72	6.7	1.55	13700	3800	200	2400
283.57	6.2	1.43	13700	3800	200	2400
322.95	5.4	1.25	13700	3800	200	2400
HI4084						
310.23	5.6	1.30	13700	3800	385	2400
351.29	5.0	1.15	13700	3800	385	2400
400.30	4.4	1.01	13700	3800	385	2400
445.16	3.9	0.91	13700	3800	385	2400
536.67	3.3	0.75	13700	3800	385	2400

* Integral Gearmotors - Specify Mounting Type I or K, and motor horsepower (See page I-6).

Note: Quad reduction units are manufactured to order.

* Motorized Reducers - Specify Mounting Type E or G, and Motor Part number.

All torque values listed in inch-pounds, all overhung load and thrust load values listed in pounds.

The point of application of OHL is considered to be applied at the midpoint of shaft extension.

OHL and thrust ratings cannot be applied simultaneously. Consult the factory for applications with combined OHL and thrust load.

At speeds above 1750 RPM, units may become thermally limited. For extended operation, limit HP to 1750 RPM rating.

Ratings @ 1750 RPM Input 1.00 Service Factor

Reducer Ratings

HI4084 cont.						
Ratio	Output Speed	Input H.P.	Output Torque	Output OHL	Input OHL	Output Thrust
646.98	2.7	0.63	13700	3800	385	2400
801.43	2.2	0.50	13700	3800	385	2400
992.73	1.76	0.41	13700	3800	385	2400
1169.33	1.50	0.35	13700	3800	385	2400
1264.75	1.38	0.32	13700	3800	385	2400
1410.13	1.24	0.29	13700	3800	385	2400
1566.66	1.12	0.26	13700	3800	385	2400
1845.34	0.95	0.22	13700	3800	385	2400
2225.37	0.79	0.18	13700	3800	385	2400
2472.38	0.71	0.16	13700	3800	385	2400
HI4092						
2.24	781.3	103.3	8000	3370	950	2200
2.53	691.7	96.4	8430	3370	950	2270
3.15	555.6	84.8	9230	3370	950	2290
3.60	486.1	77.9	9700	3370	950	2290
4.60	380.4	66.1	10510	3370	950	2290
5.36	326.5	56.7	10510	3370	950	2290
5.92	295.6	80.6	16500	3370	950	2290
6.69	261.6	75.7	17500	3370	950	2290
8.34	209.8	62.4	18000	3370	950	2290
9.52	183.8	55.3	18200	3370	950	2290
12.17	143.8	45.6	19200	3370	950	2290
14.17	123.5	41.6	20400	3370	950	2360
18.25	95.9	35.0	22100	3370	950	2740
20.03	87.4	33.4	23100	3370	950	2850
24.55	71.3	29.5	25000	3370	950	3240
27.50	63.6	24.3	23100	3370	950	3420
31.10	56.3	21.5	23100	3370	950	3440
38.29	45.7	17.5	23200	3370	950	3440
44.93	38.9	15.0	23300	3370	950	3440
59.86	29.2	11.3	23400	3370	950	3440
67.06	26.1	10.1	23400	3370	950	3440
HI4093						
57.41	30.5	13.7	26600	4460	385	3440
62.19	28.1	12.6	26600	4460	385	3440
63.37	27.6	12.4	26600	4460	385	3440
70.42	24.9	11.2	26600	4460	385	3440
80.24	21.8	9.79	26600	4460	385	3440
89.01	19.7	8.83	26600	4460	385	3440
105.23	16.6	7.47	26600	4460	385	3440
112.72	15.5	6.97	26600	4460	385	3440
126.87	13.8	6.19	26600	4460	385	3440
133.26	13.1	5.90	26600	4460	385	3440
157.15	11.1	5.00	26600	4460	385	3440
160.66	10.9	4.89	26600	4460	385	3440
185.09	9.5	4.25	26600	4460	385	3440
199.01	8.8	3.95	26600	4460	385	3440
223.22	7.8	3.52	26600	4460	385	3440
234.41	7.5	3.35	26600	4460	385	3440
248.00	7.1	3.17	26600	4460	385	3440
282.68	6.2	2.78	26600	4460	385	3440
314.06	5.6	2.50	26600	4460	385	3440
HI4094						
357.43	4.9	2.20	26600	4460	595	3440
438.20	4.0	1.79	26600	4460	595	3440
490.71	3.6	1.60	26600	4460	595	3440
554.88	3.2	1.42	26600	4460	595	3440
631.04	2.8	1.25	26600	4460	595	3440

* Integral Gearmotors - Specify Mounting Type I or K, and motor horsepower (See page I-6).

Note: Quad reduction units are manufactured to order.

* Motorized Reducers - Specify Mounting Type E or G, and Motor Part number.

All torque values listed in inch-pounds, all overhung load and thrust load values listed in pounds.

The point of application of OHL is considered to be applied at the midpoint of shaft extension.

OHL and thrust ratings cannot be applied simultaneously. Consult the factory for applications with combined OHL and thrust load.

At speeds above 1750 RPM, units may become thermally limited. For extended operation, limit HP to 1750 RPM rating.

HUB CITY POWERATIO® 4000 – HIGH EFFICIENCY HELICAL IN-LINE DRIVES

Ratings @ 1750 RPM Input 1.00 Service Factor

HI4094 cont.

Ratio	Output Speed	Input H.P.	Output Torque	Output OHL	Input OHL	Output Thrust
656.02	2.7	1.20	26600	4460	595	3440
807.76	2.2	0.97	26600	4460	595	3440
979.66	1.79	0.80	26600	4460	595	3440
1206.25	1.45	0.65	26600	4460	595	3440
1391.56	1.26	0.56	26600	4460	595	3440
1713.43	1.02	0.46	26600	4460	595	3440
1903.62	0.92	0.41	26600	4460	595	3440
2112.65	0.83	0.37	26600	4460	595	3440
2679.05	0.65	0.29	26600	4460	595	3440
3000.92	0.58	0.26	26600	4460	595	3440
3334.02	0.52	0.24	26600	4460	595	3440

HI4102

2.26	774.3	125.0	9770	2725	950	2790
2.58	678.3	125.0	11150	2735	950	2790
2.96	592.0	125.0	12780	2745	950	2790
3.79	461.5	125.1	16400	2755	950	2790
4.60	380.8	121.5	19300	2570	950	2790
5.43	322.6	102.9	19300	2700	950	2790
6.01	291.4	125.2	26000	2750	950	2790
6.86	255.2	110.9	26300	2785	950	2790
7.85	222.8	103.1	28000	2790	950	2790
10.08	173.6	100.4	35000	2800	950	2790
12.21	143.3	90.2	38100	2810	950	2790
14.41	121.4	76.5	38100	3050	950	3040
18.12	96.6	60.8	38100	3350	950	3040
20.04	87.3	55.0	38100	3500	950	3300
22.30	78.5	49.4	38100	3700	950	3750
25.01	70.0	44.1	38100	3900	950	3750
28.33	61.8	38.9	38100	4200	950	3750
32.48	53.9	33.9	38100	4350	950	5320
34.97	50.0	31.5	38100	4550	950	5350

HI4103

34.56	50.6	32.6	38100	4550	385	5350
38.59	45.3	29.2	38100	4570	385	5350
39.63	44.2	28.4	38100	4850	385	5350
43.15	40.6	26.1	38100	5000	385	5350
46.55	37.6	24.2	38100	5100	385	5350
49.47	35.4	22.7	38100	5300	385	5350
52.30	33.5	21.5	38100	5450	385	5350
53.37	32.8	21.1	38100	5500	385	5350
54.42	32.2	20.7	38100	5550	385	5350
59.97	29.2	18.8	38100	5750	385	5350
61.51	28.5	18.3	38100	6000	385	5350
62.40	28.0	18.0	38100	6000	385	5350
70.52	24.8	16.0	38100	6300	385	5350
73.12	23.9	15.4	38100	6300	385	5350
83.84	20.9	13.4	38100	6500	385	5350
102.70	17.0	11.0	38100	6500	385	5350
117.76	14.9	9.56	38100	6500	385	5350
121.43	14.4	9.27	38100	6500	385	5350
139.23	12.6	8.08	38100	6500	385	5350
146.39	12.0	7.69	38100	6500	385	5350
167.85	10.4	6.71	38100	6500	385	5350
181.32	9.7	6.21	38100	6500	385	5350
207.90	8.4	5.41	38100	6500	385	5350
257.56	6.8	4.37	38100	6500	385	5350
286.15	6.1	3.93	38100	6500	385	5350
295.31	5.9	3.81	38100	6500	385	5350
328.09	5.3	3.43	38100	6500	385	5350

* Integral Gearmotors - Specify Mounting Type I or K, and motor horsepower (See page I-6).

* Motorized Reducers - Specify Mounting Type E or G, and Motor Part number.

All torque values listed in inch-pounds, all overhung load and thrust load values listed in pounds.

The point of application of OHL is considered to be applied at the midpoint of shaft extension.

OHL and thrust ratings cannot be applied simultaneously. Consult the factory for applications with combined OHL and thrust load.

At speeds above 1750 RPM, units may become thermally limited. For extended operation, limit HP to 1750 RPM rating.

Note: Quad reduction units are manufactured to order.

Ratings @ 1750 RPM Input 1.00 Service Factor

HI4104						
Ratio	Output Speed	Input H.P.	Output Torque	Output OHL	Input OHL	Output Thrust
357.56	4.9	3.15	38100	6500	595	5350
397.95	4.4	2.83	38100	6500	595	5350
446.41	3.9	2.52	38100	6500	595	5350
527.77	3.3	2.13	38100	6500	595	5350
636.26	2.8	1.77	38100	6500	595	5350
702.58	2.5	1.60	38100	6500	595	5350
826.21	2.1	1.36	38100	6500	595	5350
896.70	2.0	1.26	38100	6500	595	5350
997.98	1.75	1.13	38100	6500	595	5350
1023.44	1.71	1.10	38100	6500	595	5350
1119.52	1.56	1.01	38100	6500	595	5350
1268.07	1.38	0.89	38100	6500	595	5350
1408.82	1.24	0.80	38100	6500	595	5350
1453.75	1.20	0.77	38100	6500	595	5350
1615.11	1.08	0.70	38100	6500	595	5350

* Integral Gearmotors - Specify Mounting Type I or K, and motor horsepower (See page I-6).

* Motorized Reducers - Specify Mounting Type E or G, and Motor Part number.

All torque values listed in inch-pounds, all overhung load and thrust load values listed in pounds.

The point of application of OHL is considered to be applied at the midpoint of shaft extension.

OHL and thrust ratings cannot be applied simultaneously. Consult the factory for applications with combined OHL and thrust load.

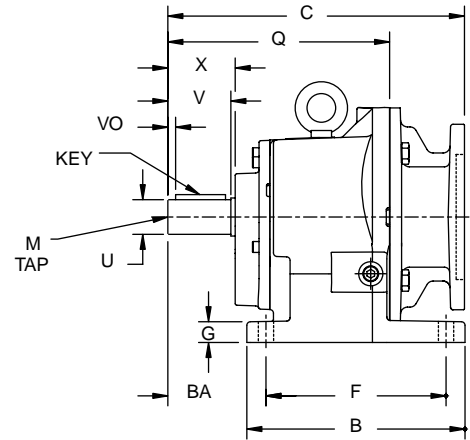
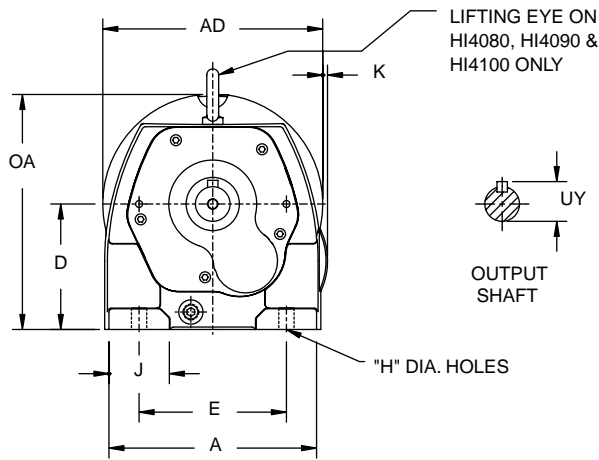
At speeds above 1750 RPM, units may become thermally limited. For extended operation, limit HP to 1750 RPM rating.

Note: Quad reduction units are manufactured to order.

HUB CITY POWERATIO® 4000 – HIGH EFFICIENCY HELICAL IN-LINE DRIVES

Double Reduction

DIMENSIONS SHOWN ARE FOR REFERENCE ONLY.
CERTIFIED PRINTS ARE AVAILABLE UPON REQUEST.



Dimensions are inch/ mm

Gearcase

Model	A	AD	B	BA	D	E	F	G	H	J	K	OA	Q
HI4032E	5.20	5.64	5.08	2.28	2.95 ⁺⁰ _{-.02}	4.33	4.33	0.45	0.39	0.93	0.31	5.71	6.96
	132	143	129	58	75 ⁺⁰ _{-.5}	110	110	11	10	24	8	145	177
HI4042E	5.72	6.61	6.30	2.95	3.54 ⁺⁰ _{-.02}	4.33	5.12	0.59	0.39	1.40	0.29	6.68	7.29
	145	168	160	75	90 ⁺⁰ _{-.5}	110	130	15	10	35	7	170	185
HI4062E	7.48	7.93	7.87	3.94	4.53 ⁺⁰ _{-.02}	5.32	6.50	0.75	0.53	2.18	N/A	8.48	8.40
	190	201	200	100	115 ⁺⁰ _{-.5}	135	165	19	14	55	N/A	215	213
HI4662E	8.14	8.50	9.13	3.94	5.12 ⁺⁰ _{-.02}	5.91	7.68	0.82	0.53	2.39	0.24	9.08	9.44
	207	216	232	100	130 ⁺⁰ _{-.5}	150	195	21	14	61	6	231	240
HI4072E	8.66	9.97	9.65	4.53	5.51 ⁺⁰ _{-.02}	6.69	8.07	0.98	0.69	2.16	N/A	10.47	10.79
	220	253	245	115	140 ⁺⁰ _{-.5}	170	205	25	18	55	N/A	266	274
HI4082E	11.34	11.96	12.59	5.51	7.09 ⁺⁰ _{-.02}	8.47	10.24	1.11	0.75	2.93	N/A	13.04	12.99
	288	304	320	140	180 ⁺⁰ _{-.5}	215	260	28	19	74	N/A	331	330
HI4092E	13.42	14.00	14.37	6.30	8.86 ⁺⁰ _{-.02}	9.84	12.21	1.38	0.91	3.55	0.45	15.84	16.41
	341	356	365	160	225 ⁺⁰ _{-.5}	250	310	35	23	90	11	402	417
HI4102E	15.25	16.08	17.32	7.28	9.84 ⁺⁰ _{-.02}	11.42	14.57	1.50	1.02	4.00	0.35	16.78	19.00
	387	408	440	185	250 ⁺⁰ _{-.5}	290	370	38	26	102	9	426	483

Output Shaft *

Model	U	UY	V	VO	X	KEY	M
HI4032E	0.750 ⁺⁰ _{-.001}	0.82	1.93	0.25	1.98	3/16 x 3/16 x 1-1/16	1/4-20 x 0.63
HI4042E	1.000 ⁺⁰ _{-.001}	1.10	N/A	0.40	2.12	1/4 x 1/4 x 1-1/2	3/8-24 x 0.91
HI4062E	1.375 ⁺⁰ _{-.001}	1.51	N/A	0.44	2.83	5/16 x 5/16 x 1-3/4	1/2-13 x 1.13
HI4662E	1.375 ⁺⁰ _{-.001}	1.51	2.76	0.44	2.94	5/16 x 5/16 x 1-3/4	1/2-13 x 1.13
HI4072E	1.625 ⁺⁰ _{-.001}	1.78	3.15	0.45	3.27	3/8 x 3/8 x 2-1/4	5/8-11 x 1.38
HI4082E	2.125 ⁺⁰ _{-.001}	2.34	3.94	0.64	4.06	1/2 x 1/2 x 2-5/8	3/4-10 x 1.61
HI4092E	2.375 ⁺⁰ _{-.001}	2.64	4.72	0.70	4.95	5/8 x 5/8 x 3-3/4	3/4-10 x 1.61
HI4102E	2.875 ⁺⁰ _{-.001}	3.19	5.51	0.67	5.62	3/4 x 3/4 x 4-1/8	3/4-10 x 1.61

Motor Compatibility - NEMA

Model	NEMA							
	56C	143TC	182TC	213TC	254TC	284TC	324TC	364TC
HI4032E	C	9.76	-	-	-	-	-	-
HI4042E	C	9.90	9.90	11.21	-	-	-	-
HI4062E	C	11.10	11.10	12.12	12.12	-	-	-
HI4662E	C	12.14	12.14	13.16	13.16	-	-	-
HI4072E	C	14.15	14.15	14.83	14.83	14.83	-	-
HI4082E	C	-	-	18.45	18.45	18.45	19.00	-
HI4092E	C	-	-	20.89	20.89	20.89	20.89	22.15
HI4102E	C	-	-	23.49	23.49	23.49	23.49	24.75

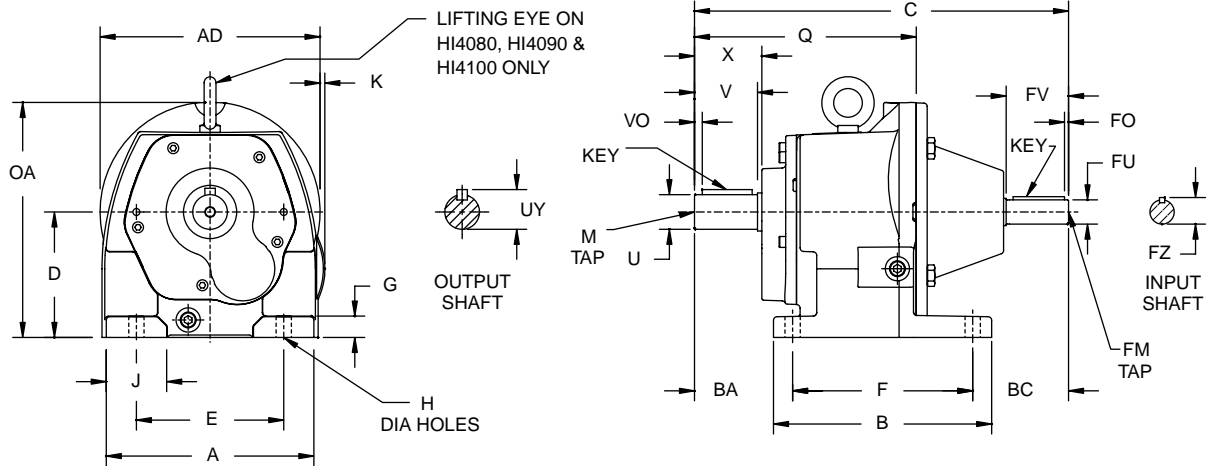
* See Pages I-64 and I-65 For Additional Shaft Diameters Available.



For safety and to comply with local and national safety codes, the purchaser or user must provide protective guards over all shaft extensions and devices mounted thereon.

DIMENSIONS SHOWN ARE FOR REFERENCE ONLY.
CERTIFIED PRINTS ARE AVAILABLE UPON REQUEST.

Double Reduction



Gearcase

Dimensions are inch/ mm

Model	A	AD	B	BA	D	E	F	G	H	J	K	OA	Q
HI4032A	5.20	5.64	5.08	2.28	2.95 ^{+0.02}	4.33	4.33	0.45	0.39	0.93	0.31	5.71	6.96
	132	143	129	58	75 ^{+0.5}	110	110	11	10	24	8	145	177
HI4042A	5.72	6.61	6.30	2.95	3.54 ^{+0.02}	4.33	5.12	0.59	0.39	1.40	0.29	6.68	7.29
	145	168	160	75	90 ^{+0.5}	110	130	15	10	35	7	170	185
HI4062A	7.48	7.93	7.87	3.94	4.53 ^{+0.02}	5.32	6.50	0.75	0.53	2.18	N/A	8.48	8.40
	190	201	200	100	115 ^{+0.5}	135	165	19	14	55	N/A	215	213
HI4662A	8.14	8.50	9.13	3.94	5.12 ^{+0.02}	5.91	7.68	0.82	0.53	2.39	0.24	9.08	9.44
	207	216	232	100	130 ^{+0.5}	150	195	21	14	61	6	231	240
HI4072A	8.66	9.97	9.65	4.53	5.51 ^{+0.02}	6.69	8.07	0.98	0.69	2.16	N/A	10.47	10.79
	220	253	245	115	140 ^{+0.5}	170	205	25	18	55	N/A	266	274
HI4082A	11.34	11.96	12.59	5.51	7.09 ^{+0.02}	8.47	10.24	1.11	0.75	2.93	N/A	13.04	12.99
	288	304	320	140	180 ^{+0.5}	215	260	28	19	74	N/A	331	330
HI4092A	13.42	14.00	14.37	6.30	8.86 ^{+0.02}	9.84	12.21	1.38	0.91	3.55	0.45	15.84	16.41
	341	356	365	160	225 ^{+0.5}	250	310	35	23	90	11	402	417
HI4102A	15.25	16.08	17.32	7.28	9.84 ^{+0.02}	11.42	14.57	1.50	1.02	4.00	0.35	16.78	19.00
	387	408	440	185	250 ^{+0.5}	290	370	38	26	102	9	426	483

Output Shaft *

Model	U	UY	V	VO	X	KEY	M
HI4032A	0.750 ^{+0.001}	0.82	1.93	0.25	1.98	3/16 x 3/16 x 1-1/16	1/4-20 x 0.63
HI4042A	1.000 ^{+0.001}	1.10	N/A	0.40	2.12	1/4 x 1/4 x 1-1/2	3/8-24 x 0.91
HI4062A	1.375 ^{+0.001}	1.51	N/A	0.44	2.83	5/16 x 5/16 x 1-3/4	1/2-13 x 1.13
HI4662A	1.375 ^{+0.001}	1.51	2.76	0.44	2.94	5/16 x 5/16 x 1-3/4	1/2-13 x 1.13
HI4072A	1.625 ^{+0.001}	1.78	3.15	0.45	3.27	3/8 x 3/8 x 2-1/4	5/8-11 x 1.38
HI4082A	2.125 ^{+0.001}	2.34	3.94	0.64	4.06	1/2 x 1/2 x 2-5/8	3/4-10 x 1.61
HI4092A	2.375 ^{+0.001}	2.64	4.72	0.70	4.95	5/8 x 5/8 x 3-3/4	3/4-10 x 1.61
HI4102A	2.875 ^{+0.001}	3.19	5.51	0.67	5.62	3/4 x 3/4 x 4-1/8	3/4-10 x 1.61

Input Shaft *

Model	FU	FZ	FV	FO	KEY	FM
HI4032A	0.625 ^{+0.001}	0.69	1.57	0.25	3/16 x 3/16 x 1-1/16	N/A
HI4042A	0.750 ^{+0.001}	0.82	1.57	0.25	3/16 x 3/16 x 1-1/16	N/A
HI4062A	0.875 ^{+0.001}	0.95	2.25	N/A	3/16 x 3/16 x 2	1/4-20 x 0.75
HI4662A	0.875 ^{+0.001}	0.95	2.25	N/A	3/16 x 3/16 x 2	1/4-20 x 0.75
HI4072A	1.125 ^{+0.001}	1.23	2.63	N/A	1/4 x 1/4 x 2-1/2	3/8-16 x 1.00
HI4082A	1.375 ^{+0.001}	1.51	3.15	0.35	5/16 x 5/16 x 2-3/8	1/2-13 x 1.41
HI4092A	1.875 ^{+0.001}	2.08	3.75	N/A	1/2 x 1/2 x 3-1/4	5/8-18 x 1.50
HI4102A	1.875 ^{+0.001}	2.08	3.75	N/A	1/2 x 1/2 x 3-1/4	5/8-18 x 1.50

Gearcase/Input

Model	BC	C
HI4032A	4.66	11.27
HI4042A	3.56	11.63
HI4062A	3.45	13.89
HI4662A	3.31	14.93
HI4072A	5.04	17.64
HI4082A	5.82	21.57
HI4092A	6.82	25.33
HI4102A	6.07	27.92

* See Pages I-64 and I-65 For Additional Shaft Diameters Available.

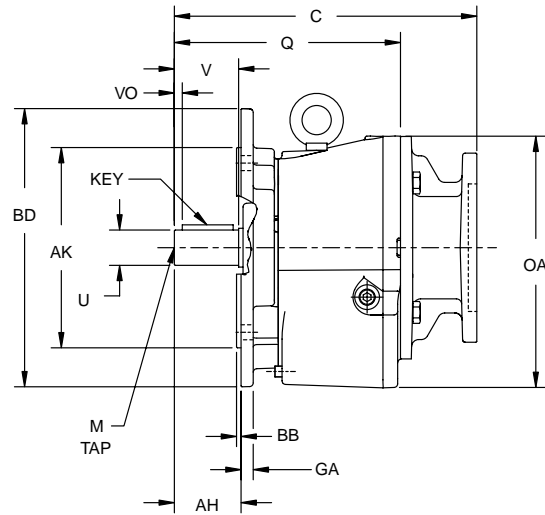
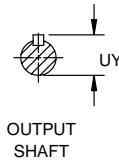
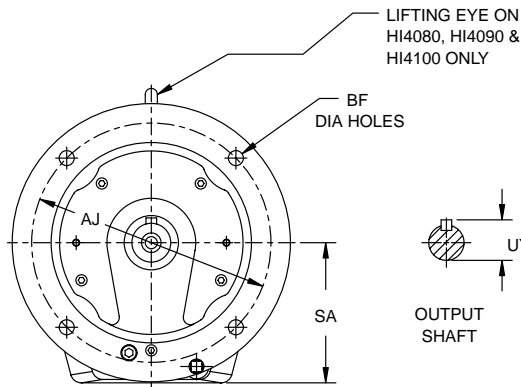


For safety and to comply with local and national safety codes, the purchaser or user must provide protective guards over all shaft extensions and devices mounted thereon.

HUB CITY POWERATIO® 4000 – HIGH EFFICIENCY HELICAL IN-LINE DRIVES

Double Reduction

DIMENSIONS SHOWN ARE FOR REFERENCE ONLY.
CERTIFIED PRINTS ARE AVAILABLE UPON REQUEST.



Dimensions are inch/ mm

Gearcase

Model	OA	Q	SA
HI4032G	6.30	6.96	3.15
	160	177	80
HI4042G	7.22	7.29	4.04
	183	185	103
HI4062G	8.92	8.40	4.96
	227	213	126
HI4662G	9.71	9.44	5.75
	247	240	146
HI4072G	10.93	10.79	5.94
	278	274	151
HI4082G	13.05	12.99	7.08
	331	330	180
HI4092G	16.42	16.41	9.45
	417	417	240
HI4102G	17.98	19.00	11.02
	457	483	280

Output Shaft

AH	AJ	AK	BB	BD	BF	GA
1.92	5.12	4.331 ^{-.0003}	0.14	6.30	0.39	0.38
49	130	110 ^{+.0}	4	160	10	10
1.97	6.50	5.118 ^{+.0}	0.14	7.90	0.47	0.43
50	165	130 ^{-.003}	4	200	12	11
2.76	8.46	7.087 ^{-.0004}	0.16	9.84	0.53	0.43
70	215	180 ^{+.0}	4	250	14	11
2.76	8.46	7.087 ^{-.0004}	0.16	9.84	0.53	0.43
70	215	180 ^{+.0}	4	250	14	11
3.15	10.43	9.055 ^{+.0001}	0.16	11.81	0.53	0.59
80	265	230 ^{+.0}	4	300	14	15
3.93	11.81	9.843 ^{-.0005}	0.20	13.78	0.69	0.70
100	300	250 ^{+.0}	5	350	18	18
4.72	15.75	13.780 ^{-.0005}	0.19	17.74	0.75	1.02
120	400	350 ^{+.0}	5	451	19	26
5.51	15.75	13.780 ^{-.0005}	0.20	17.72	0.75	1.00
140	400	350 ^{+.0}	5	450	19	25.4

Output Shaft * - Cont.

Model	U	UY	V	VO	KEY	M
HI4032G	0.750 ^{+.0}	0.82	1.93	0.25	3/16 x 3/16 x 1-1/16	1/4-20 x 0.63
HI4042G	1.000 ^{+.0}	1.10	N/A	0.40	1/4 x 1/4 x 1-1/2	3/8-24 x 0.91
HI4062G	1.375 ^{+.0}	1.51	N/A	0.44	5/16 x 5/16 x 1-3/4	1/2-13 x 1.13
HI4662G	1.375 ^{+.0}	1.51	2.76	0.44	5/16 x 5/16 x 1-3/4	1/2-13 x 1.13
HI4072G	1.625 ^{+.0}	1.78	3.15	0.45	3/8 x 3/8 x 2-1/4	5/8-11 x 1.38
HI4082G	2.125 ^{+.0}	2.34	3.94	0.64	1/2 x 1/2 x 2-5/8	3/4-10 x 1.61
HI4092G	2.375 ^{+.0}	2.64	4.72	0.70	5/8 x 5/8 x 3-3/4	3/4-10 x 1.61
HI4102G	2.875 ^{+.0}	3.19	5.51	0.67	3/4 x 3/4 x 4-1/8	3/4-10 x 1.61

Motor Compatibility - NEMA

Model		NEMA							
		56C	143TC	182TC	213TC	254TC	284TC	324TC	364TC
HI4032G	C	9.76	-	-	-	-	-	-	-
HI4042G	C	9.90	9.90	11.21	-	-	-	-	-
HI4062G	C	11.10	11.10	12.12	12.12	-	-	-	-
HI4662G	C	12.14	12.14	13.16	13.16	-	-	-	-
HI4072G	C	14.15	14.15	14.83	14.83	14.83	-	-	-
HI4082G	C	-	-	18.45	18.45	18.45	19.00	-	-
HI4092G	C	-	-	20.89	20.89	20.89	20.89	22.15	22.15
HI4102G	C	-	-	23.49	23.49	23.49	23.49	24.75	24.75

* See Pages I-64 and I-65 For Additional Shaft Diameters Available.

Dimensions subject to change without notice

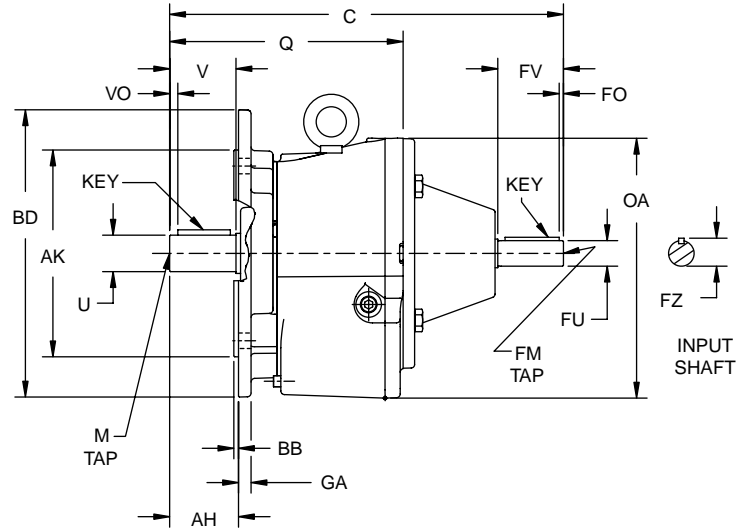
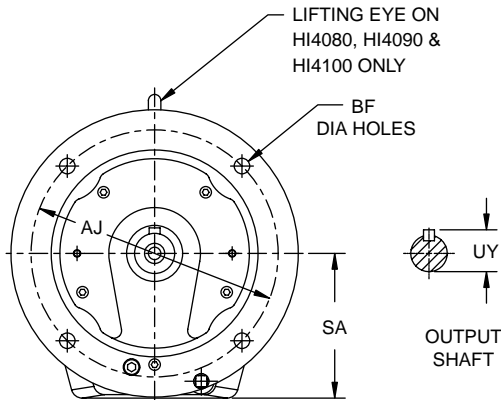


For safety and to comply with local and national safety codes, the purchaser or user must provide protective guards over all shaft extensions and devices mounted thereon.



DIMENSIONS SHOWN ARE FOR REFERENCE ONLY.
CERTIFIED PRINTS ARE AVAILABLE UPON REQUEST.

Double Reduction



Dimensions are inch/ mm

Gearcase

Model	OA	Q	SA
HI4032C	6.30	6.96	3.15
	160	177	80
HI4042C	7.22	7.29	4.04
	183	185	103
HI4062C	8.92	8.40	4.96
	227	213	126
HI4662C	9.71	9.44	5.75
	247	240	146
HI4072C	10.93	10.79	5.94
	278	274	151
HI4082C	13.05	12.99	7.08
	331	330	180
HI4092C	16.42	16.41	9.45
	417	417	240
HI4102C	17.98	19.00	11.02
	457	483	280

Output Shaft

AH	AJ	AK	BB	BD	BF	GA
1.92	5.12	4.331 ^{+0.0003} _{-.0024}	0.14	6.30	0.39	0.38
49	130	110 ^{+0.054}	4	160	10	10
1.97	6.50	5.118 ^{+0.002} _{-.003}	0.14	7.90	0.47	0.43
50	165	130 ^{+0.054}	4	200	12	11
2.76	8.46	7.087 ^{+0.0004} _{-.0029}	0.16	9.84	0.53	0.43
70	215	180 ^{+0.064}	4	250	14	11
2.76	8.46	7.087 ^{+0.0004} _{-.0029}	0.16	9.84	0.53	0.43
70	215	180 ^{+0.064}	4	250	14	11
3.15	10.43	9.055 ^{+0.0001} _{-.0027}	0.16	11.81	0.53	0.59
80	265	230 ^{+0.072}	4	300	14	15
3.93	11.81	9.843 ^{+0.0005} _{-.0025}	0.20	13.78	0.69	0.70
100	300	250 ^{+0.051}	5	350	18	18
4.72	15.75	13.780 ^{+0.0005} _{-.0032}	0.19	17.74	0.75	1.02
120	400	350 ^{+0.070}	5	451	19	26
5.51	15.75	13.780 ^{+0.0005} _{-.0032}	0.20	17.72	0.75	1.00
140	400	350 ^{+0.070}	5	450	19	25.4

Output Shaft * - Cont.

Model	U	UY	V	VO	KEY	M
HI4032C	0.750 ^{+0.001} _{-.001}	0.82	1.93	0.25	3/16 x 3/16 x 1-1/16	1/4-20 x 0.63
HI4042C	1.000 ^{+0.001} _{-.001}	1.10	N/A	0.40	1/4 x 1/4 x 1-1/2	3/8-24 x 0.91
HI4062C	1.375 ^{+0.001} _{-.001}	1.51	N/A	0.44	5/16 x 5/16 x 1-3/4	1/2-13 x 1.13
HI4662C	1.375 ^{+0.001} _{-.001}	1.51	2.76	0.44	5/16 x 5/16 x 1-3/4	1/2-13 x 1.13
HI4072C	1.625 ^{+0.001} _{-.001}	1.78	3.15	0.45	3/8 x 3/8 x 2-1/4	5/8-11 x 1.38
HI4082C	2.125 ^{+0.001} _{-.001}	2.34	3.94	0.64	1/2 x 1/2 x 2-5/8	3/4-10 x 1.61
HI4092C	2.375 ^{+0.001} _{-.001}	2.64	4.72	0.70	5/8 x 5/8 x 3-3/4	3/4-10 x 1.61
HI4102C	2.875 ^{+0.001} _{-.001}	3.19	5.51	0.67	3/4 x 3/4 x 4-1/8	3/4-10 x 1.61

Input Shaft *

Model	FU	FZ	FV	FO	KEY	FM
HI4032C	0.625 ^{+0.001} _{-.001}	0.69	1.57	0.25	3/16 x 3/16 x 1-1/16	N/A
HI4042C	0.750 ^{+0.001} _{-.001}	0.82	1.57	0.25	3/16 x 3/16 x 1-1/16	N/A
HI4062C	0.875 ^{+0.001} _{-.001}	0.95	2.25	N/A	3/16 x 3/16 x 2	1/4-20 x 0.75
HI4662C	0.875 ^{+0.001} _{-.001}	0.95	2.25	N/A	3/16 x 3/16 x 2	1/4-20 x 0.75
HI4072C	1.125 ^{+0.001} _{-.001}	1.23	2.63	N/A	1/4 x 1/4 x 2-1/2	3/8-16 x 1.00
HI4082C	1.375 ^{+0.001} _{-.001}	1.51	3.15	0.35	5/16 x 5/16 x 2-3/8	1/2-13 x 1.41
HI4092C	1.875 ^{+0.001} _{-.001}	2.08	3.75	N/A	1/2 x 1/2 x 3-1/4	5/8-18 x 1.50
HI4102C	1.875 ^{+0.001} _{-.001}	2.08	3.75	N/A	1/2 x 1/2 x 3-1/4	5/8-18 x 1.50

Gearcase/Input

Model	C
HI4032C	11.27
HI4042C	11.63
HI4062C	13.89
HI4662C	14.93
HI4072C	17.64
HI4082C	21.57
HI4092C	25.33
HI4102C	27.92

* See Pages I-64 and I-65 For Additional Shaft Diameters Available.

Dimensions subject to change without notice



For safety and to comply with local and national safety codes, the purchaser or user must provide protective guards over all shaft extensions and devices mounted thereon.

CALL: (605) 225-0360



FAX: (605) 225-0567

I-55

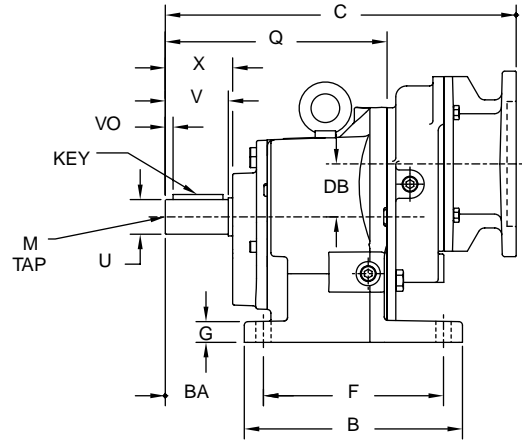
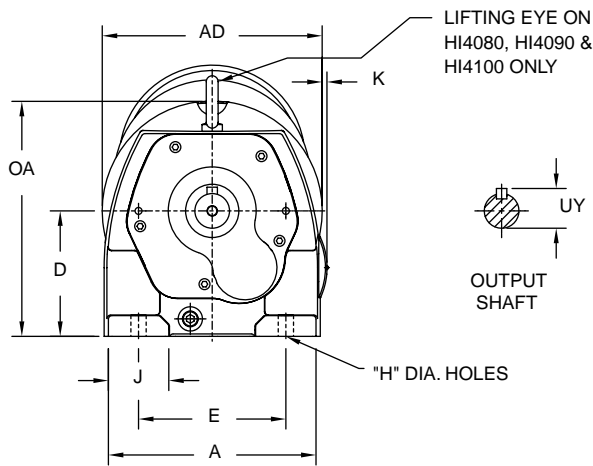
VISIT OUR WEB SITE AT WWW.CLARKTR.COM

Reducer Dimensions

HUB CITY POWERATIO® 4000 – HIGH EFFICIENCY HELICAL IN-LINE DRIVES

Triple Reduction

DIMENSIONS SHOWN ARE FOR REFERENCE ONLY.
CERTIFIED PRINTS ARE AVAILABLE UPON REQUEST.



Dimensions are inch/ mm

Gearcase

Model	A	AD	B	BA	D	DB	E	F	G	H	J	K	OA	Q
HI4043E	5.72	6.61	6.30	2.95	3.54 ⁺⁰ _{-.02}	1.50	4.33	5.12	0.59	0.39	1.40	0.29	6.68	7.29
	145	168	160	75	90 ⁺⁰ _{-.5}	38	110	130	15	10	35	7	170	185
HI4063E	7.48	7.93	7.87	3.94	4.53 ⁺⁰ _{-.02}	1.91	5.32	6.50	0.75	0.53	2.18	N/A	8.48	8.40
	190	201	200	100	115 ⁺⁰ _{-.5}	49	135	165	19	14	55	N/A	215	213
HI4663E	8.14	8.50	9.13	3.94	5.12 ⁺⁰ _{-.02}	1.91	5.91	7.68	0.82	0.53	2.39	0.24	9.08	9.44
	207	216	232	100	130 ⁺⁰ _{-.5}	49	150	195	21	14	61	6	231	240
HI4073E	8.66	9.97	9.65	4.53	5.51 ⁺⁰ _{-.02}	1.91	6.69	8.07	0.98	0.69	2.16	N/A	10.47	10.79
	220	253	245	115	140 ⁺⁰ _{-.5}	49	170	205	25	18	55	N/A	266	274
HI4083E	11.34	11.96	12.59	5.51	7.09 ⁺⁰ _{-.02}	2.36	8.47	10.24	1.11	0.75	2.93	N/A	13.04	12.99
	288	304	320	140	180 ⁺⁰ _{-.5}	60	215	260	28	19	74	N/A	331	330
HI4093E	13.42	14.00	14.37	6.30	8.86 ⁺⁰ _{-.02}	2.87	9.84	12.21	1.38	0.91	3.55	0.45	15.84	16.41
	341	356	365	160	225 ⁺⁰ _{-.5}	73	250	310	35	23	90	11	402	417
HI4103E	15.25	16.08	17.32	7.28	9.84 ⁺⁰ _{-.02}	3.39	11.42	14.57	1.50	1.02	4.00	0.35	16.78	19.00
	387	408	440	185	250 ⁺⁰ _{-.5}	86	290	370	38	26	102	9	426	483

Output Shaft *

Model	U	UY	V	VO	X	KEY	M
HI4043E	1.000 ⁺⁰ _{-.001}	1.10	N/A	0.40	2.12	1/4 x 1/4 x 1-1/2	3/8-24 x 0.91
HI4063E	1.375 ⁺⁰ _{-.001}	1.51	N/A	0.44	2.83	5/16 x 5/16 x 1-3/4	1/2-13 x 1.13
HI4663E	1.375 ⁺⁰ _{-.001}	1.51	2.76	0.44	2.94	5/16 x 5/16 x 1-3/4	1/2-13 x 1.13
HI4073E	1.625 ⁺⁰ _{-.001}	1.78	3.15	0.45	3.27	3/8 x 3/8 x 2-1/4	5/8-11 x 1.38
HI4083E	2.125 ⁺⁰ _{-.001}	2.34	3.94	0.64	4.06	1/2 x 1/2 x 2-5/8	3/4-10 x 1.61
HI4093E	2.375 ⁺⁰ _{-.001}	2.64	4.72	0.70	4.95	5/8 x 5/8 x 3-3/4	3/4-10 x 1.61
HI4103E	2.875 ⁺⁰ _{-.001}	3.19	5.51	0.67	5.62	3/4 x 3/4 x 4-1/8	3/4-10 x 1.61

Motor Compatibility - NEMA

Model	NEMA					
	56C	143TC	182TC	213TC	254TC	284TC
HI4043E	C	10.68	-	-	-	-
HI4063E	C	13.06	13.06	-	-	-
HI4663E	C	14.10	14.10	-	-	-
HI4073E	C	14.97	14.97	-	-	-
HI4083E	C	16.87	16.87	17.89	-	-
HI4093E	C	22.30	22.30	22.98	22.98	22.98
HI4103E	C	-	-	28.34	28.34	28.34

* See Pages I-64 and I-65 For Additional Shaft Diameters Available.

Dimensions subject to change without notice

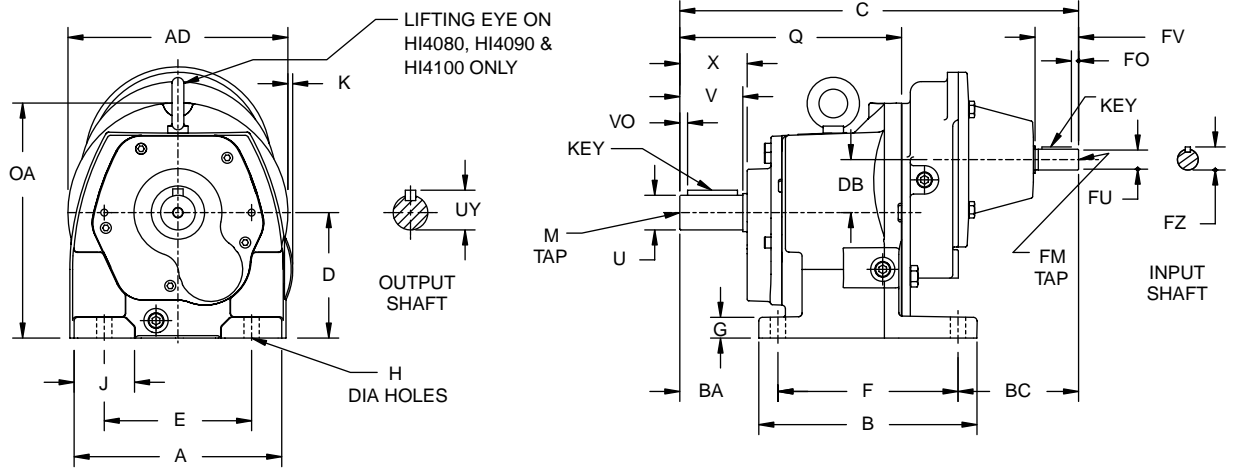


For safety and to comply with local and national safety codes, the purchaser or user must provide protective guards over all shaft extensions and devices mounted thereon.



DIMENSIONS SHOWN ARE FOR REFERENCE ONLY.
CERTIFIED PRINTS ARE AVAILABLE UPON REQUEST.

Triple Reduction



Reducer Dimensions

Dimensions are inch/ mm

Gearcase

Model	A	AD	B	BA	D	DB	E	F	G	H	J	K	OA	Q
HI4043A	5.72	6.61	6.30	2.95	3.54 ⁺⁰ _{-.02}	1.50	4.33	5.12	0.59	0.39	1.40	0.29	6.68	7.29
	145	168	160	75	90 ⁺⁰ _{-.5}	38	110	130	15	10	35	7	170	185
HI4063A	7.48	7.93	7.87	3.94	4.53 ⁺⁰ _{-.02}	1.91	5.32	6.50	0.75	0.53	2.18	N/A	8.48	8.40
	190	201	200	100	115 ⁺⁰ _{-.5}	49	135	165	19	14	55	N/A	215	213
HI4663A	8.14	8.50	9.13	3.94	5.12 ⁺⁰ _{-.02}	1.91	5.91	7.68	0.82	0.53	2.39	0.24	9.08	9.44
	207	216	232	100	130 ⁺⁰ _{-.5}	49	150	195	21	14	61	6	231	240
HI4073A	8.66	9.97	9.65	4.53	5.51 ⁺⁰ _{-.02}	1.91	6.69	8.07	0.98	0.69	2.16	N/A	10.47	10.79
	220	253	245	115	140 ⁺⁰ _{-.5}	49	170	205	25	18	55	N/A	266	274
HI4083A	11.34	11.96	12.59	5.51	7.09 ⁺⁰ _{-.02}	2.36	8.47	10.24	1.11	0.75	2.93	N/A	13.04	12.99
	288	304	320	140	180 ⁺⁰ _{-.5}	60	215	260	28	19	74	N/A	331	330
HI4093A	13.42	14.00	14.37	6.30	8.86 ⁺⁰ _{-.02}	2.87	9.84	12.21	1.38	0.91	3.55	0.45	15.84	16.41
	341	356	365	160	225 ⁺⁰ _{-.5}	73	250	310	35	23	90	11	402	417
HI4103A	15.25	16.08	17.32	7.28	9.84 ⁺⁰ _{-.02}	3.39	11.42	14.57	1.50	1.02	4.00	0.35	16.78	19.00
	387	408	440	185	250 ⁺⁰ _{-.5}	86	290	370	38	26	102	9	426	483

Output Shaft *

Model	U	UY	V	VO	X	KEY	M
HI4043A	1.000 ⁺⁰ _{-.001}	1.10	N/A	0.40	2.12	1/4 x 1/4 x 1-1/2	3/8-24 x 0.91
HI4063A	1.375 ⁺⁰ _{-.001}	1.51	N/A	0.44	2.83	5/16 x 5/16 x 1-3/4	1/2-13 x 1.13
HI4663A	1.375 ⁺⁰ _{-.001}	1.51	2.76	0.44	2.94	5/16 x 5/16 x 1-3/4	1/2-13 x 1.13
HI4073A	1.625 ⁺⁰ _{-.001}	1.78	3.15	0.45	3.27	3/8 x 3/8 x 2-1/4	5/8-11 x 1.38
HI4083A	2.125 ⁺⁰ _{-.001}	2.34	3.94	0.64	4.06	1/2 x 1/2 x 2-5/8	3/4-10 x 1.61
HI4093A	2.375 ⁺⁰ _{-.001}	2.64	4.72	0.70	4.95	5/8 x 5/8 x 3-3/4	3/4-10 x 1.61
HI4103A	2.875 ⁺⁰ _{-.001}	3.19	5.51	0.67	5.62	3/4 x 3/4 x 4-1/8	3/4-10 x 1.61

Input Shaft *

Model	FU	FZ	FV	FO	KEY	FM
HI4043A	0.625 ⁺⁰ _{-.001}	0.69	1.57	0.25	3/16 x 3/16 x 1-1/16	N/A
HI4063A	0.750 ⁺⁰ _{-.001}	0.82	1.57	0.25	3/16 x 3/16 x 1-1/16	N/A
HI4663A	0.750 ⁺⁰ _{-.001}	0.82	1.57	0.25	3/16 x 3/16 x 1-1/16	N/A
HI4073A	0.750 ⁺⁰ _{-.001}	0.82	1.57	0.25	3/16 x 3/16 x 1-1/16	N/A
HI4083A	0.875 ⁺⁰ _{-.001}	0.95	2.25	N/A	3/16 x 3/16 x 2	1/4-20 x 0.75
HI4093A	1.125 ⁺⁰ _{-.001}	1.23	2.63	N/A	1/4 x 1/4 x 2-3/8	3/8-16 x 1.00
HI4103A	1.375 ⁺⁰ _{-.001}	1.51	3.15	0.35	5/16 x 5/16 x 2-3/8	1/2-13 x 1.41

Gearcase/Input

Model	BC	C
HI4043A	4.12	12.19
HI4063A	4.35	14.78
HI4663A	4.21	15.82
HI4073A	4.10	16.70
HI4083A	3.92	19.66
HI4093A	7.29	25.79
HI4103A	9.62	31.46

* See Pages I-64 and I-65 For Additional Shaft Diameters Available.

Dimensions subject to change without notice

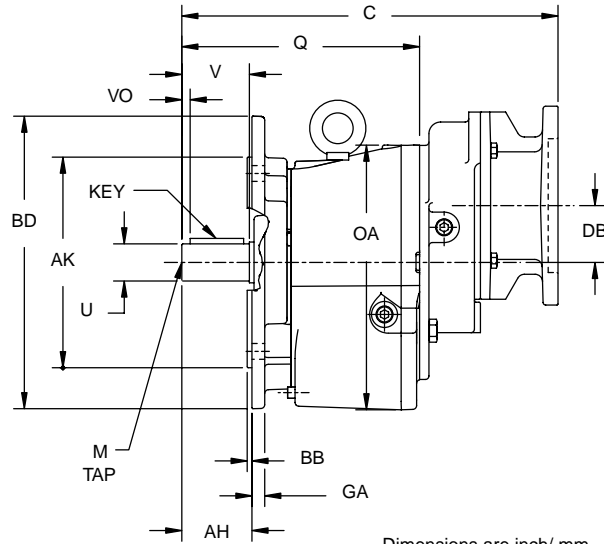
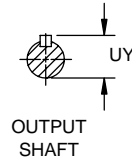
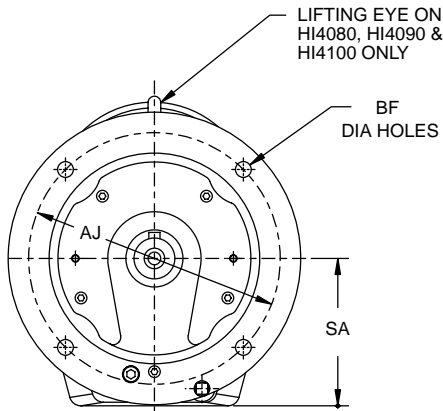


For safety and to comply with local and national safety codes, the purchaser or user must provide protective guards over all shaft extensions and devices mounted thereon.

HUB CITY POWERATIO® 4000 – HIGH EFFICIENCY HELICAL IN-LINE DRIVES

Triple Reduction

DIMENSIONS SHOWN ARE FOR REFERENCE ONLY.
CERTIFIED PRINTS ARE AVAILABLE UPON REQUEST.



Dimensions are inch/ mm

Gearcase

Model	OA	Q	SA	DB
HI4043G	7.22	7.29	4.04	1.50
	183	185	103	38
HI4063G	8.92	8.40	4.96	1.91
	227	213	126	49
HI4663G	9.71	9.44	5.75	1.91
	247	240	146	49
HI4073G	10.93	10.79	5.94	1.91
	278	274	151	49
HI4083G	13.05	12.99	7.08	2.36
	331	330	180	60
HI4093G	16.42	16.41	9.45	2.87
	417	417	240	73
HI4103G	17.98	19.00	11.02	3.39
	457	483	280	86

Output Shaft

AH	AJ	AK	BB	BD	BF	GA
1.97	6.50	5.118 ⁺⁰ / _{-.002}	0.14	7.90	0.47	0.43
50	165	130 ^{-.003} / _{-.054}	4	200	12	11
2.76	8.46	7.087 ^{-.0004} / _{-.0029}	0.16	9.84	0.53	0.43
70	215	180 ⁺⁰ / _{-.064}	4	250	14	11
2.76	8.46	7.087 ^{-.0004} / _{-.0029}	0.16	9.84	0.53	0.43
70	215	180 ⁺⁰ / _{-.064}	4	250	14	11
3.15	10.43	9.055 ^{+0.0001} / _{-.0027}	0.16	11.81	0.53	0.59
80	265	230 ⁺⁰ / _{-.072}	4	300	14	15
3.93	11.81	9.843 ^{-.0005} / _{-.0025}	0.20	13.78	0.69	0.70
100	300	250 ⁺⁰ / _{-.051}	5	350	18	18
4.72	15.75	13.780 ^{-.0005} / _{-.0032}	0.19	17.74	0.75	1.02
120	400	350 ⁺⁰ / _{-.070}	5	451	19	26
5.51	15.75	13.780 ^{-.0005} / _{-.0032}	0.20	17.72	0.75	1.00
140	400	350 ⁺⁰ / _{-.070}	5	450	19	25.4

Output Shaft * - Cont.

Model	U	UY	V	VO	KEY	M
HI4043G	1.000 ⁺⁰ / _{-.001}	1.10	N/A	0.40	1/4 x 1/4 x 1-1/2	3/8-24 x 0.91
HI4063G	1.375 ⁺⁰ / _{-.001}	1.51	N/A	0.44	5/16 x 5/16 x 1-3/4	1/2-13 x 1.13
HI4663G	1.375 ⁺⁰ / _{-.001}	1.51	2.76	0.44	5/16 x 5/16 x 1-3/4	1/2-13 x 1.13
HI4073G	1.625 ⁺⁰ / _{-.001}	1.78	3.15	0.45	3/8 x 3/8 x 2-1/4	5/8-11 x 1.38
HI4083G	2.125 ⁺⁰ / _{-.001}	2.34	3.94	0.64	1/2 x 1/2 x 2-5/8	3/4-10 x 1.61
HI4093G	2.375 ⁺⁰ / _{-.001}	2.64	4.72	0.70	5/8 x 5/8 x 3-3/4	3/4-10 x 1.61
HI4103G	2.875 ⁺⁰ / _{-.001}	3.19	5.51	0.67	3/4 x 3/4 x 4-1/8	3/4-10 x 1.61

Motor Compatibility - NEMA

Model	NEMA					
	56C	143TC	182TC	213TC	254TC	284TC
		145TC	184TC	215TC	256TC	286TC
HI4043G	C	10.68	-	-	-	-
HI4063G	C	13.06	13.06	-	-	-
HI4663G	C	14.10	14.10	-	-	-
HI4073G	C	14.97	14.97	-	-	-
HI4083G	C	16.87	16.87	17.89	-	-
HI4093G	C	22.30	22.30	22.98	22.98	22.98
HI4103G	C	-	-	28.34	28.34	28.34

* See Pages I-64 and I-65 For Additional Shaft Diameters Available.

Dimensions subject to change without notice

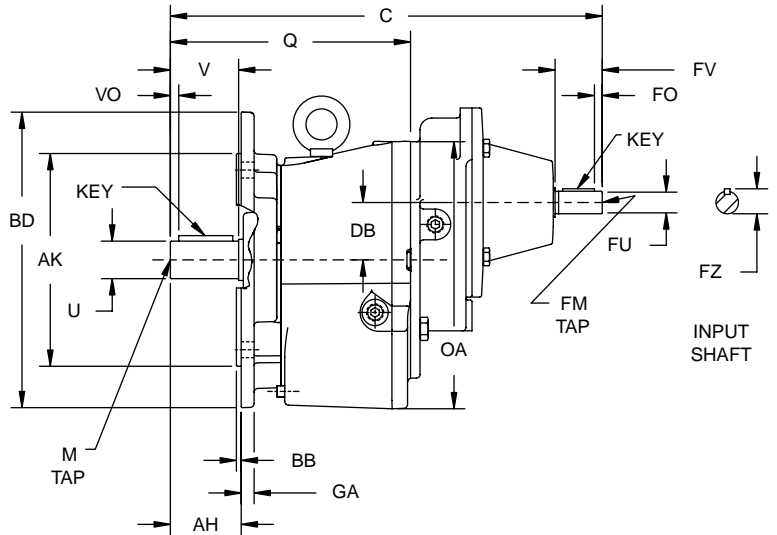
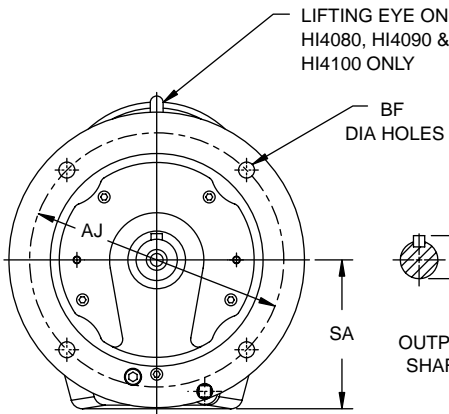


For safety and to comply with local and national safety codes, the purchaser or user must provide protective guards over all shaft extensions and devices mounted thereon.



DIMENSIONS SHOWN ARE FOR REFERENCE ONLY.
CERTIFIED PRINTS ARE AVAILABLE UPON REQUEST.

Triple Reduction



Dimensions are inch/ mm

Gearcase

Model	OA	Q	SA	DB
HI4043C	7.22 183	7.29 185	4.04 103	1.50 38
HI4063C	8.92 227	8.40 213	4.96 126	1.91 49
HI4663C	9.71 247	9.44 240	5.75 146	1.91 49
HI4073C	10.93 278	10.79 274	5.94 151	1.91 49
HI4083C	13.05 331	12.99 330	7.08 180	2.36 60
HI4093C	16.42 417	16.41 417	9.45 240	2.87 73
HI4103C	17.98 457	19.00 483	11.02 280	3.39 86

Output Shaft

AH	AJ	AK	BB	BD	BF	GA
1.97 50	6.50 165	5.118 ^{+0.002} _{-.003} 130 ^{-.004} _{-.054}	0.14 4	7.90 200	0.47 12	0.43 11
2.76 70	8.46 215	7.087 ^{+0.0004} _{-.0029} 180 ^{+0.064}	0.16 4	9.84 250	0.53 14	0.43 11
2.76 70	8.46 215	7.087 ^{+0.0004} _{-.0029} 180 ^{+0.064}	0.16 4	9.84 250	0.53 14	0.43 11
3.15 80	10.43 265	9.055 ^{+0.0001} _{-.0027} 230 ^{+0.072}	0.16 4	11.81 300	0.53 14	0.59 15
3.93 100	11.81 300	9.843 ^{+0.0005} _{-.0025} 250 ^{+0.051}	0.20 5	13.78 350	0.69 18	0.70 18
4.72 120	15.75 400	13.780 ^{+0.0005} _{-.0032} 350 ^{+0.070}	0.19 5	17.74 451	0.75 19	1.02 26
5.51 140	15.75 400	13.780 ^{+0.0005} _{-.0032} 350 ^{+0.070}	0.20 5	17.72 450	0.75 19	1.00 25.4

Output Shaft * - Cont.

Model	U	UY	V	VO	KEY	M
HI4043C	1.000 ^{+0.001}	1.10	N/A	0.40	1/4 x 1/4 x 1-1/2	3/8-24 x 0.91
HI4063C	1.375 ^{+0.001}	1.51	N/A	0.44	5/16 x 5/16 x 1-3/4	1/2-13 x 1.13
HI4663C	1.375 ^{+0.001}	1.51	2.76	0.44	5/16 x 5/16 x 1-3/4	1/2-13 x 1.13
HI4073C	1.625 ^{+0.001}	1.78	3.15	0.45	3/8 x 3/8 x 2-1/4	5/8-11 x 1.38
HI4083C	2.125 ^{+0.001}	2.34	3.94	0.64	1/2 x 1/2 x 2-5/8	3/4-10 x 1.61
HI4093C	2.375 ^{+0.001}	2.64	4.72	0.70	5/8 x 5/8 x 3-3/4	3/4-10 x 1.61
HI4103C	2.875 ^{+0.001}	3.19	5.51	0.67	3/4 x 3/4 x 4-1/8	3/4-10 x 1.61

Input Shaft *

Model	FU	FZ	FV	FO	KEY	FM
HI4043C	0.625 ^{+0.001}	0.69	1.57	0.25	3/16 x 3/16 x 1-1/16	N/A
HI4063C	0.750 ^{+0.001}	0.82	1.57	0.25	3/16 x 3/16 x 1-1/16	N/A
HI4663C	0.750 ^{+0.001}	0.82	1.57	0.25	3/16 x 3/16 x 1-1/16	N/A
HI4073C	0.750 ^{+0.001}	0.82	1.57	0.25	3/16 x 3/16 x 1-1/16	N/A
HI4083C	0.875 ^{+0.001}	0.95	2.25	N/A	3/16 x 3/16 x 2	1/4-20 x 0.75
HI4093C	1.125 ^{+0.001}	1.23	2.63	N/A	1/4 x 1/4 x 2-3/8	3/8-16 x 1.00
HI4103C	1.375 ^{+0.001}	1.51	3.15	0.35	5/16 x 5/16 x 2-3/8	1/2-13 x 1.41

Gearcase/Input

Model	C
HI4043C	12.19
HI4063C	14.78
HI4663C	15.82
HI4073C	16.70
HI4083C	19.66
HI4093C	25.79
HI4103C	31.46

* See Pages I-64 and I-65 For Additional Shaft Diameters Available.

Dimensions subject to change without notice



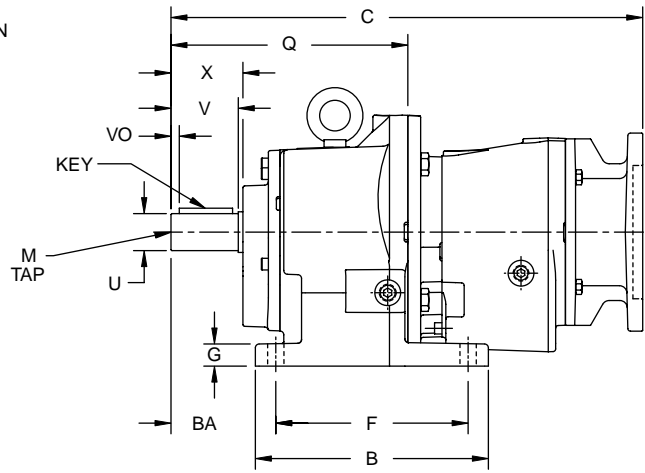
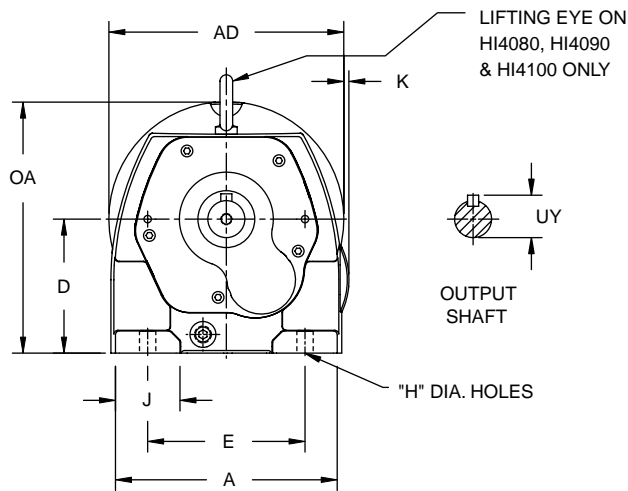
For safety and to comply with local and national safety codes, the purchaser or user must provide protective guards over all shaft extensions and devices mounted thereon.

Reducer Dimensions

HUB CITY POWERATIO® 4000 – HIGH EFFICIENCY HELICAL IN-LINE DRIVES

Quad Reduction

DIMENSIONS SHOWN ARE FOR REFERENCE ONLY.
CERTIFIED PRINTS ARE AVAILABLE UPON REQUEST.



Dimensions are inch/ mm

Gearcase

Model	A	AD	B	BA	D	E	F	G	H	J	K	OA	Q
HI4064E	7.48	7.93	7.87	3.94	4.53 ⁺⁰ _{-.02}	5.32	6.50	0.75	0.53	2.18	N/A	8.48	8.40
	190	201	200	100	115 ⁺⁰ _{-.5}	135	165	19	14	55	N/A	215	213
HI4664E	8.14	8.50	9.13	3.94	5.12 ⁺⁰ _{-.02}	5.91	7.68	0.82	0.53	2.39	0.24	9.08	9.44
	207	216	232	100	130 ⁺⁰ _{-.5}	150	195	21	14	61	6	231	240
HI4074E	8.66	9.97	9.65	4.53	5.51 ⁺⁰ _{-.02}	6.69	8.07	0.98	0.69	2.16	N/A	10.47	10.79
	220	253	245	115	140 ⁺⁰ _{-.5}	170	205	25	18	55	N/A	266	274
HI4084E	11.34	11.96	12.59	5.51	7.09 ⁺⁰ _{-.02}	8.47	10.24	1.11	0.75	2.93	N/A	13.04	12.99
	288	304	320	140	180 ⁺⁰ _{-.5}	215	260	28	19	74	N/A	331	330
HI4094E	13.42	14.00	14.37	6.30	8.86 ⁺⁰ _{-.02}	9.84	12.21	1.38	0.91	3.55	0.45	15.84	16.41
	341	356	365	160	225 ⁺⁰ _{-.5}	250	310	35	23	90	11	402	417
HI4104E	15.25	16.08	17.32	7.28	9.84 ⁺⁰ _{-.02}	11.42	14.57	1.50	1.02	4.00	0.35	16.78	19.00
	387	408	440	185	250 ⁺⁰ _{-.5}	290	370	38	26	102	9	426	483

Output Shaft *

Model	U	UY	V	VO	X	KEY	M
HI4064E	1.375 ⁺⁰ _{-.001}	1.51	N/A	0.44	2.83	5/16 x 5/16 x 1-3/4	1/2-13 x 1.13
HI4664E	1.375 ⁺⁰ _{-.001}	1.51	2.76	0.44	2.94	5/16 x 5/16 x 1-3/4	1/2-13 x 1.13
HI4074E	1.625 ⁺⁰ _{-.001}	1.78	3.15	0.45	3.27	3/8 x 3/8 x 2-1/4	5/8-11 x 1.38
HI4084E	2.125 ⁺⁰ _{-.001}	2.34	3.94	0.64	4.06	1/2 x 1/2 x 2-5/8	3/4-10 x 1.61
HI4094E	2.375 ⁺⁰ _{-.001}	2.64	4.72	0.70	4.95	5/8 x 5/8 x 3-3/4	3/4-10 x 1.61
HI4104E	2.875 ⁺⁰ _{-.001}	3.19	5.51	0.67	5.62	3/4 x 3/4 x 4-1/8	3/4-10 x 1.61

Motor Compatibility - NEMA

Model		NEMA			
		56C	143TC	182TC	184TC
HI4064E	C	16.33	16.33	-	-
HI4664E	C	17.37	17.37	-	-
HI4074E	C	19.13	19.13	-	-
HI4084E	C	23.99	23.99	-	-
HI4094E	C	**	**	30.93	-
HI4104E	C	**	**	33.52	-

* See Page I-64 and I-65 For Additional Shaft Diameters Available.

** Quad Reduction Units Are Manufactured To Order. Contact Hub City For Availability.

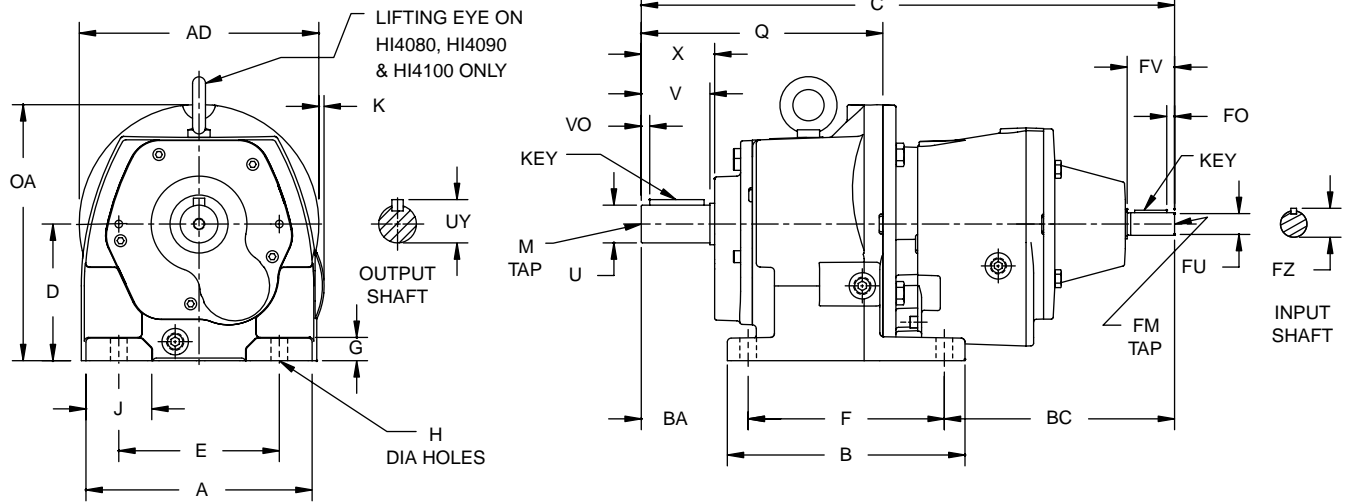


For safety and to comply with local and national safety codes, the purchaser or user must provide protective guards over all shaft extensions and devices mounted thereon.



DIMENSIONS SHOWN ARE FOR REFERENCE ONLY.
CERTIFIED PRINTS ARE AVAILABLE UPON REQUEST.

Quad Reduction



Reducer Dimensions

Dimensions are inch/ mm

Gearcase

Model	A	AD	B	BA	D	E	F	G	H	J	K	OA	Q
HI4064A	7.48	7.93	7.87	3.94	4.53 ^{+0/-0.02}	5.32	6.50	0.75	0.53	2.18	N/A	8.48	8.40
	190	201	200	100	115 ^{+0/-0.5}	135	165	19	14	55	N/A	215	213
HI4664A	8.14	8.50	9.13	3.94	5.12 ^{+0/-0.02}	5.91	7.68	0.82	0.53	2.39	0.24	9.08	9.44
	207	216	232	100	130 ^{+0/-0.5}	150	195	21	14	61	6	231	240
HI4074A	8.66	9.97	9.65	4.53	5.51 ^{+0/-0.02}	6.69	8.07	0.98	0.69	2.16	N/A	10.47	10.79
	220	253	245	115	140 ^{+0/-0.5}	170	205	25	18	55	N/A	266	274
HI4084A	11.34	11.96	12.59	5.51	7.09 ^{+0/-0.02}	8.47	10.24	1.11	0.75	2.93	N/A	13.04	12.99
	288	304	320	140	180 ^{+0/-0.5}	215	260	28	19	74	N/A	331	330
HI4094A	13.42	14.00	14.37	6.30	8.86 ^{+0/-0.02}	9.84	12.21	1.38	0.91	3.55	0.45	15.84	16.41
	341	356	365	160	225 ^{+0/-0.5}	250	310	35	23	90	11	402	417
HI4104A	15.25	16.08	17.32	7.28	9.84 ^{+0/-0.02}	11.42	14.57	1.50	1.02	4.00	0.35	16.78	19.00
	387	408	440	185	250 ^{+0/-0.5}	290	370	38	26	102	9	426	483

Output Shaft *

Model	U	UY	V	VO	X	KEY	M
HI4064A	1.375 ^{+0/-0.001}	1.51	N/A	0.44	2.83	5/16 x 5/16 x 1-3/4	1/2-13 x 1.13
HI4664A	1.375 ^{+0/-0.001}	1.51	2.76	0.44	2.94	5/16 x 5/16 x 1-3/4	1/2-13 x 1.13
HI4074A	1.625 ^{+0/-0.001}	1.78	3.15	0.45	3.27	3/8 x 3/8 x 2-1/4	5/8-11 x 1.38
HI4084A	2.125 ^{+0/-0.001}	2.34	3.94	0.64	4.06	1/2 x 1/2 x 2-5/8	3/4-10 x 1.61
HI4094A	2.375 ^{+0/-0.001}	2.64	4.72	0.70	4.95	5/8 x 5/8 x 3-3/4	3/4-10 x 1.61
HI4104A	2.875 ^{+0/-0.001}	3.19	5.51	0.67	5.62	3/4 x 3/4 x 4-1/8	3/4-10 x 1.61

Input Shaft *

Model	FU	FZ	FV	FO	KEY	FM
HI4064A	0.750 ^{+0/-0.001}	0.82	1.57	0.25	3/16 x 3/16 x 1-1/16	N/A
HI4664A	0.750 ^{+0/-0.001}	0.82	1.57	0.25	3/16 x 3/16 x 1-1/16	N/A
HI4074A	0.875 ^{+0/-0.001}	0.95	2.25	N/A	3/16 x 3/16 x 2	1/4-20 x 0.75
HI4084A	1.125 ^{+0/-0.001}	1.23	2.63	N/A	1/4 x 1/4 x 2-1/2	3/8-16 x 1.00
HI4094A	1.375 ^{+0/-0.001}	1.51	3.15	0.35	5/16 x 5/16 x 2-3/8	1/2-13 x 1.41
HI4104A	1.375 ^{+0/-0.001}	1.51	3.15	0.35	5/16 x 5/16 x 2-3/8	1/2-13 x 1.41

Gearcase/Input

Model	BC	C
HI4064A	7.62	18.06
HI4664A	7.48	19.10
HI4074A	9.32	21.92
HI4084A	11.73	27.48
HI4094A	15.54	34.05
HI4104A	14.79	36.64

* See Pages I-64 and I-65 For Additional Shaft Diameters Available.

Dimensions subject to change without notice

** Quad Reduction Units Are Manufactured To Order. Contact Hub City For Availability.

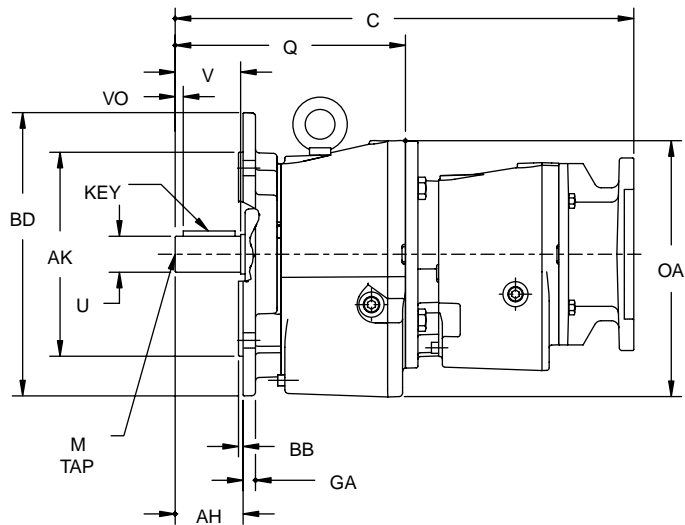
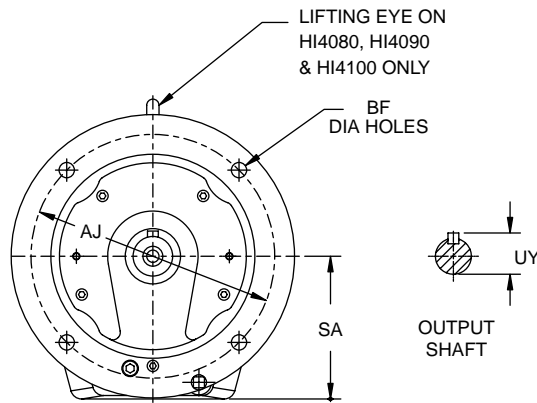


For safety and to comply with local and national safety codes, the purchaser or user must provide protective guards over all shaft extensions and devices mounted thereon.

HUB CITY POWERATIO® 4000 – HIGH EFFICIENCY HELICAL IN-LINE DRIVES

Quad Reduction

DIMENSIONS SHOWN ARE FOR REFERENCE ONLY.
CERTIFIED PRINTS ARE AVAILABLE UPON REQUEST.



Dimensions are inch/ mm

Gearcase

Model	OA	Q	SA
HI4064G	8.92	8.40	4.96
	227	213	126
HI4664G	9.71	9.44	5.75
	247	240	146
HI4074G	10.93	10.79	5.94
	278	274	151
HI4084G	13.05	12.99	7.08
	331	330	180
HI4094G	16.42	16.41	9.45
	417	417	240
HI4104G	17.98	19.00	11.02
	457	483	280

Output Shaft

AH	AJ	AK	BB	BD	BF	GA
2.76	8.46	7.087 ^{-0.0004} _{-0.0029}	0.16	9.84	0.53	0.43
70	215	180 ⁺⁰ _{-0.064}	4	250	14	11
2.76	8.46	7.087 ^{-0.0004} _{-0.0029}	0.16	9.84	0.53	0.43
70	215	180 ⁺⁰ _{-0.064}	4	250	14	11
3.15	10.43	9.055 ^{+0.0001} _{-0.0027}	0.16	11.81	0.53	0.59
80	265	230 ⁺⁰ _{-0.072}	4	300	14	15
3.93	11.81	9.843 ^{-0.0005} _{-0.0025}	0.20	13.78	0.69	0.70
100	300	250 ⁺⁰ _{-0.051}	5	350	18	18
4.72	15.75	13.780 ^{-0.0005} _{-0.0032}	0.19	17.74	0.75	1.02
120	400	350 ⁺⁰ _{-0.070}	5	451	19	26
5.51	15.75	13.780 ^{-0.0005} _{-0.0032}	0.20	17.72	0.75	1.00
140	400	350 ⁺⁰ _{-0.070}	5	450	19	25.4

Output Shaft *

Model	U	UY	V	VO	X	KEY	M
HI4064G	1.375 ⁺⁰ _{-0.001}	1.51	N/A	0.44	2.83	5/16 x 5/16 x 1-3/4	1/2-13 x 1.13
HI4664G	1.375 ⁺⁰ _{-0.001}	1.51	2.76	0.44	2.94	5/16 x 5/16 x 1-3/4	1/2-13 x 1.13
HI4074G	1.625 ⁺⁰ _{-0.001}	1.78	3.15	0.45	3.27	3/8 x 3/8 x 2-1/4	5/8-11 x 1.38
HI4084G	2.125 ⁺⁰ _{-0.001}	2.34	3.94	0.64	4.06	1/2 x 1/2 x 2-5/8	3/4-10 x 1.61
HI4094G	2.375 ⁺⁰ _{-0.001}	2.64	4.72	0.70	4.95	5/8 x 5/8 x 3-3/4	3/4-10 x 1.61
HI4104G	2.875 ⁺⁰ _{-0.001}	3.19	5.51	0.67	5.62	3/4 x 3/4 x 4-1/8	3/4-10 x 1.61

Motor Compatibility - NEMA

Model		NEMA		
		56C	143TC 145TC	182TC 184TC
HI4064G	C	16.33	16.33	-
HI4664G	C	17.37	17.37	-
HI4074G	C	19.13	19.13	-
HI4084G	C	23.99	23.99	-
HI4094G	C	**	**	30.93
HI4104G	C	**	**	33.52

* See Page I-64 and I-65 For Additional Shaft Diameters Available.

** Quad Reduction Units Are Manufactured To Order. Contact Hub City For Availability.

Dimensions subject to change without notice

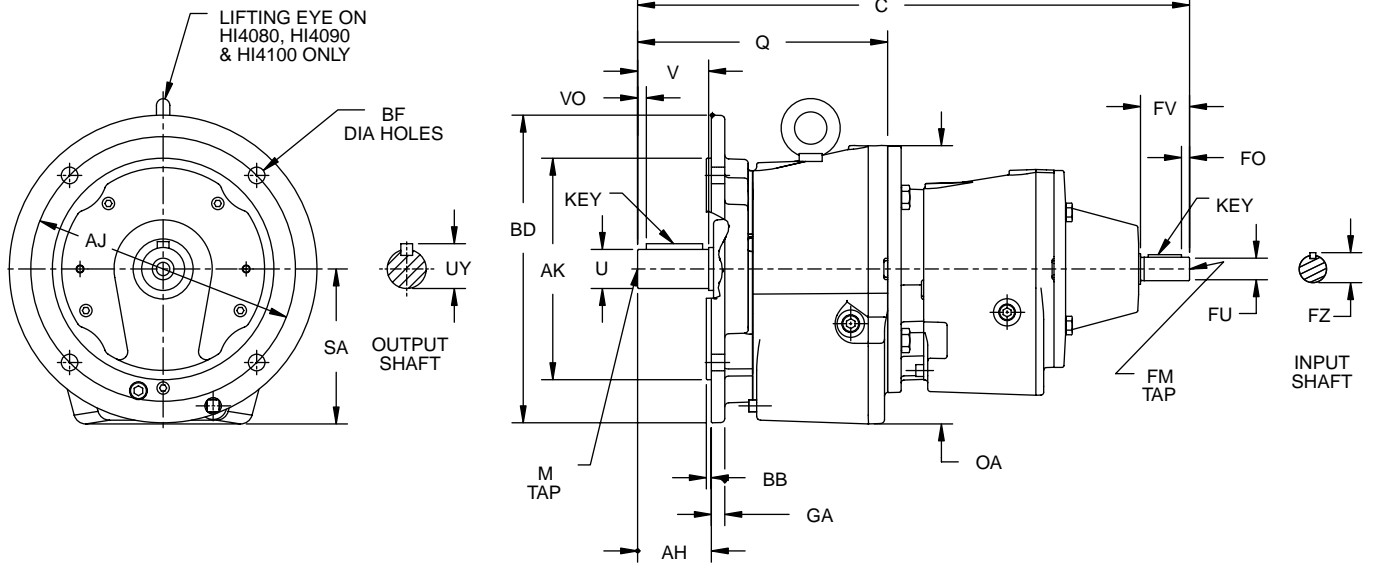


For safety and to comply with local and national safety codes, the purchaser or user must provide protective guards over all shaft extensions and devices mounted thereon.

DIMENSIONS SHOWN ARE FOR REFERENCE ONLY.
CERTIFIED PRINTS ARE AVAILABLE UPON REQUEST.

Quad Reduction

Reducer Dimensions



Dimensions are inch/ mm

Gearcase

Model	OA	Q	SA
HI4064C	8.92 227	8.40 213	4.96 126
HI4664C	9.71 247	9.44 240	5.75 146
HI4074C	10.93 278	10.79 274	5.94 151
HI4084C	13.05 331	12.99 330	7.08 180
HI4094C	16.42 417	16.41 417	9.45 240
HI4104C	17.98 457	19.00 483	11.02 280

Output Shaft

AH	AJ	AK	BB	BD	BF	GA
2.76 70	8.46 215	7.087 ^{-0.004} _{-0.029} 180 ⁺⁰ _{-0.064}	0.16 4	9.84 250	0.53 14	0.43 11
2.76 70	8.46 215	7.087 ^{-0.004} _{-0.029} 180 ⁺⁰ _{-0.064}	0.16 4	9.84 250	0.53 14	0.43 11
3.15 80	10.43 265	9.055 ^{+0.001} _{-0.027} 230 ⁺⁰ _{-0.072}	0.16 4	11.81 300	0.53 14	0.59 15
3.93 100	11.81 300	9.843 ^{-0.005} _{-0.025} 250 ⁺⁰ _{-0.051}	0.20 5	13.78 350	0.69 18	0.70 18
4.72 120	15.75 400	13.780 ^{-0.005} _{-0.032} 350 ⁺⁰ _{-0.070}	0.19 5	17.74 451	0.75 19	1.02 26
5.51 140	15.75 400	13.780 ^{-0.005} _{-0.032} 350 ⁺⁰ _{-0.070}	0.20 5	17.72 450	0.75 19	1.00 25.4

Output Shaft * - Cont.

Model	U	UY	V	VO	KEY	M
HI4064C	1.375 ⁺⁰ _{-0.001}	1.51	N/A	0.44	5/16 x 5/16 x 1-3/4	1/2-13 x 1.13
HI4664C	1.375 ⁺⁰ _{-0.001}	1.51	2.76	0.44	5/16 x 5/16 x 1-3/4	1/2-13 x 1.13
HI4074C	1.625 ⁺⁰ _{-0.001}	1.78	3.15	0.45	3/8 x 3/8 x 2-1/4	5/8-11 x 1.38
HI4084C	2.125 ⁺⁰ _{-0.001}	2.34	3.94	0.64	1/2 x 1/2 x 2-5/8	3/4-10 x 1.61
HI4094C	2.375 ⁺⁰ _{-0.001}	2.64	4.72	0.70	5/8 x 5/8 x 3-3/4	3/4-10 x 1.61
HI4104C	2.875 ⁺⁰ _{-0.001}	3.19	5.51	0.67	3/4 x 3/4 x 4-1/8	3/4-10 x 1.61

Input Shaft *

Model	FU	FZ	FV	FO	KEY	FM
HI4064C	0.750 ⁺⁰ _{-0.001}	0.82	1.57	0.25	3/16 x 3/16 x 1-1/16	N/A
HI4664C	0.750 ⁺⁰ _{-0.001}	0.82	1.57	0.25	3/16 x 3/16 x 1-1/16	N/A
HI4074C	0.875 ⁺⁰ _{-0.001}	0.95	2.25	N/A	3/16 x 3/16 x 2	1/4-20 x 0.75
HI4084C	1.125 ⁺⁰ _{-0.001}	1.23	2.63	N/A	1/4 x 1/4 x 2-1/2	3/8-16 x 1.00
HI4094C	1.375 ⁺⁰ _{-0.001}	1.51	3.15	0.35	5/16 x 5/16 x 2-3/8	1/2-13 x 1.41
HI4104C	1.375 ⁺⁰ _{-0.001}	1.51	3.15	0.35	5/16 x 5/16 x 2-3/8	1/2-13 x 1.41

Gearcase/Input

Model	C
HI4064C	18.06
HI4664C	19.10
HI4074C	21.92
HI4084C	27.48
HI4094C	34.05
HI4104C	36.64

* See Pages I-64 and I-65 For Additional Shaft Diameters Available.

Dimensions subject to change without notice

** Quad Reduction Units Are Manufactured To Order. Contact Hub City For Availability.

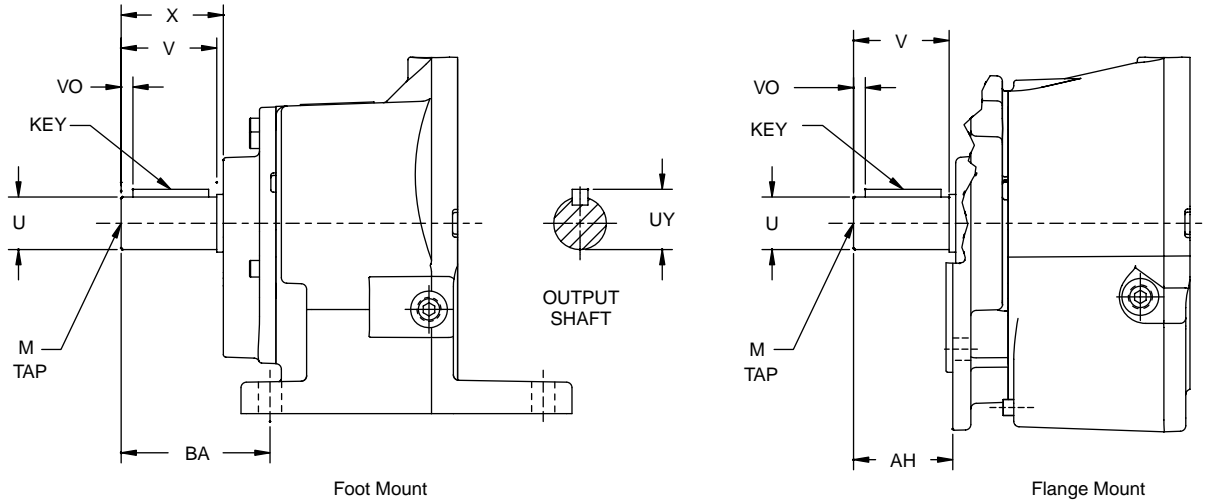


For safety and to comply with local and national safety codes, the purchaser or user must provide protective guards over all shaft extensions and devices mounted thereon.

HUB CITY POWERATIO® 4000 – HIGH EFFICIENCY HELICAL IN-LINE DRIVES

Optional Output Shafts

DIMENSIONS SHOWN ARE FOR REFERENCE ONLY.
CERTIFIED PRINTS ARE AVAILABLE UPON REQUEST.



Inch Shafts

Dimensions are inch

Series	U	UY	V	VO	X	BA	AH	KEY	M
HI4030	-	-	-	-	-	-	-	-	-
HI4040	-	-	-	-	-	-	-	-	-
HI4060	1.250 ⁺⁰ / _{-.001}	1.36	2.36	0.41	2.43	3.54	2.36	1/4 x 1/4 x 1-11/16	3/8-24 x 0.88
HI4660	-	-	-	-	-	-	-	-	-
HI4070	-	-	-	-	-	-	-	-	-
HI4080	-	-	-	-	-	-	-	-	-
HI4090	-	-	-	-	-	-	-	-	-
HI4100	-	-	-	-	-	-	-	-	-

Metric Shafts

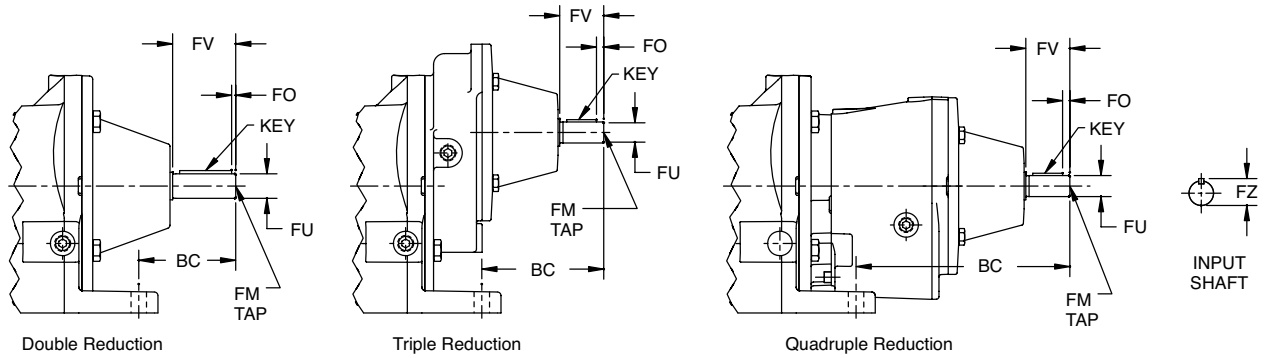
Dimensions are mm

Series	U	UY	V	VO	X	BA	AH	KEY	M
HI4030	20.015 20.002	22.5	49	7	50	58	49	6 x 6 x 25	M6x1 x 16
HI4040	24.008 23.996	27	52	9	54	75	50	8 x 7 x 28	M8x1.25 x 20
	25.015 25.002	28	52	8	54	75	50	8 x 7 x 28	M10x1.5 x 23
HI4060	28.009 27.996	31	60	9	62	90	60	8 x 7 x 40	M10x1.5 x 24
	30.015 30.002	33	60	9	62	90	60	8 x 7 x 40	M10x1.5 x 24
HI4660	35.018 35.002	38	N/A	8	72	100	70	10 x 8 x 56	M12x1.75 x 28
	35.018 35.002	38	70	8	75	100	70	10 x 8 x 56	M12x1.75 x 28
HI4070	38.018 38.002	41	80	9	83	115	80	10 x 8 x 56	M12x1.75 x 30
	40.018 40.002	43	80	11	83	115	80	12 x 8 x 50	M16x2 x 38
HI4080	48.018 48.002	51.5	110	12	113	150	110	14 x 9 x 100	M16x2 x 36
	50.018 50.002	53.5	100	17	103	140	100	14 x 9 x 80	M16x2 x 36
HI4090	60.030 60.011	64	120	19	126	160	120	18 x 11 x 60	M20x2.5 x 43
	70.030 70.011	74.5	140	18	143	185	140	20 x 12 x 100	M20x2.5 x 42

Dimensions subject to change without notice

DIMENSIONS SHOWN ARE FOR REFERENCE ONLY.
CERTIFIED PRINTS ARE AVAILABLE UPON REQUEST.

Optional Input Shafts



Inch Shafts

Dimensions are inch

	Series	FU	FZ	FV	FO	BC	KEY	FM
Double Reduction	HI4032	-	-	-	-	-	-	-
	HI4042	0.625 ⁺⁰ _{-.001}	0.69	1.88	0 - 0.60	3.87	3/16 x 3/16 x 1-1/16	N/A
	HI4062	0.750 ⁺⁰ _{-.001}	0.82	1.57	0.25	2.78	3/16 x 3/16 x 1-1/16	N/A
	HI4662	-	-	-	-	-	-	-
	HI4072	0.875 ⁺⁰ _{-.001}	0.95	1.97	0.28	4.39	3/16 X 3/16 X 1-1/4	N/A
	HI4082	1.125 ⁺⁰ _{-.001}	1.23	2.36	0.32	5.04	1/4 x 1/4 x 1-11/16	3/8-16 x 1.00
	HI4092	-	-	-	-	-	-	-
Triple Reduction	HI4102	-	-	-	-	-	-	-
	HI4043	-	-	-	-	-	-	-
	HI4063	0.625 ⁺⁰ _{-.001}	0.69	1.88	0 - 0.60	4.66	3/16 x 3/16 x 1-1/16	N/A
	HI4663	0.625 ⁺⁰ _{-.001}	0.69	1.88	0 - 0.60	4.52	3/16 x 3/16 x 1-1/16	N/A
	HI4073	0.625 ⁺⁰ _{-.001}	0.69	1.88	0 - 0.60	4.41	3/16 x 3/16 x 1-1/16	N/A
	HI4083	0.750 ⁺⁰ _{-.001}	0.82	1.57	0.25	3.24	3/16 x 3/16 x 1-1/16	N/A
	HI4093	0.875 ⁺⁰ _{-.001}	0.95	1.97	0.28	6.63	3/16 X 3/16 X 1-1/4	N/A
Quadruple Reduction	HI4103	1.125 ⁺⁰ _{-.001}	1.23	2.36	0.32	8.83	1/4 x 1/4 x 1-11/16	3/8-16 x 1.00
	HI4064	0.625 ⁺⁰ _{-.001}	0.69	1.88	0 - 0.60	7.93	3/16 x 3/16 x 1-1/16	N/A
	HI4664	0.625 ⁺⁰ _{-.001}	0.69	1.88	0 - 0.60	7.79	3/16 x 3/16 x 1-1/16	N/A
	HI4074	0.750 ⁺⁰ _{-.001}	0.82	1.57	0.25	8.64	3/16 x 3/16 x 1-1/16	N/A
	HI4084	0.875 ⁺⁰ _{-.001}	0.95	1.97	0.28	11.08	3/16 X 3/16 X 1-1/4	N/A
	HI4094	1.125 ⁺⁰ _{-.001}	1.23	2.36	0.32	14.75	1/4 x 1/4 x 1-11/16	3/8-16 x 1.00
	HI4104	1.125 ⁺⁰ _{-.001}	1.23	2.36	0.32	14.00	1/4 x 1/4 x 1-11/16	3/8-16 x 1.00

Metric Shafts

Dimensions are mm

	Series	FU	FZ	FV	FO	BC	KEY	FM
Double Reduction	HI4032	14 ^{+0.08} _{-.003}	16	30	5	109	5 x 5 x 20	M5x0.8 x 13
	HI4042	16 ^{+0.08} _{-.003}	18	40	7	90	5 x 5 x 20	M5x0.8 x 13
		19 ^{+0.14} _{+.002}	21.5	40	7	90	6 x 6 x 25	M6x1.0 x 17
	HI4062	24 ^{+0.09} _{-.004}	27	50	9	81	8 x 7 x 30	M8x1.25 x 21
	HI4662	24 ^{+0.09} _{-.004}	27	50	9	77	8 x 7 x 30	M8x1.25 x 21
	HI4072	28 ^{+0.09} _{-.004}	31	60	7	121	8 x 7 x 40	M10x1.5 x 24
	HI4082	38 ^{+0.18} _{+.002}	41	80	5	148	10 x 8 x 70	M12x1.75 x 28
Triple Reduction	HI4092	48 ^{+0.18} _{+.002}	51.5	110	5	188	14 x 9 x 100	M16x2 x 38
	HI4102	48 ^{+0.18} _{+.002}	51.5	110	5	169	14 x 9 x 100	M16x2 x 38
	HI4043	14 ^{+0.08} _{-.003}	16	30	5	95	5 x 5 x 20	M5x0.8 x 13
		16 ^{+0.08} _{-.003}	18	40	7	105	5 x 5 x 20	M5x0.8 x 13
	HI4063	16 ^{+0.08} _{-.003}	18	40	7	110	5 x 5 x 20	M5x0.8 x 13
		19 ^{+0.14} _{+.002}	21.5	40	7	110	6 x 6 x 25	M6x1.0 x 17
	HI4663	16 ^{+0.08} _{-.003}	18	40	7	107	5 x 5 x 20	M5x0.8 x 13
19 ^{+0.14} _{+.002}		21.5	40	7	107	6 x 6 x 25	M6x1.0 x 17	
HI4073	16 ^{+0.08} _{-.003}	18	40	7	104	5 x 5 x 20	M5x0.8 x 13	
	19 ^{+0.14} _{+.002}	21.5	40	7	104	6 x 6 x 25	M6x1.0 x 17	
HI4083	24 ^{+0.09} _{-.004}	27	50	9	92	8 x 7 x 30	M8x1.25 x 21	
	HI4093	28 ^{+0.09} _{-.004}	31	60	7	178	8 x 7 x 40	M10x1.5 x 24
HI4103	38 ^{+0.18} _{+.002}	41	80	5	244	10 x 8 x 70	M12x1.75 x 28	
	HI4064	16 ^{+0.08} _{-.003}	18	40	7	194	5 x 5 x 20	M5x0.8 x 13
Quadruple Reduction	HI4664	19 ^{+0.14} _{+.002}	21.5	40	7	194	6 x 6 x 25	M6x1.0 x 17
		16 ^{+0.08} _{-.003}	18	40	7	190	5 x 5 x 20	M5x0.8 x 13
	19 ^{+0.14} _{+.002}	21.5	40	7	190	6 x 6 x 25	M6x1.0 x 17	
	HI4074	24 ^{+0.09} _{-.004}	27	50	9	230	8 x 7 x 30	M8x1.25 x 21
	HI4084	28 ^{+0.09} _{-.004}	31	60	7	291	8 x 7 x 40	M10x1.5 x 24
	HI4094	38 ^{+0.18} _{+.002}	41	80	5	395	10 x 8 x 70	M12x1.75 x 28
	HI4104	38 ^{+0.18} _{+.002}	41	80	5	376	10 x 8 x 70	M12x1.75 x 28



For safety and to comply with local and national safety codes, the purchaser or user must provide protective guards over all shaft extensions and devices mounted thereon.

HUB CITY POWERATIO® 4000 – HIGH EFFICIENCY HELICAL IN-LINE DRIVES

Shipping Weights & Motor Compatibility

**Reducer Weights - Foot Mounted (lbs.)

Unit Size	Solid Input Shaft	C-Frame Quill Input							
		56C	143TC	182TC	213TC	254TC	284TC	324TC	364TC
HI4032	17	18	-	-	-	-	-	-	-
HI4042	27	28	28	33	-	-	-	-	-
HI4043	33	34	-	-	-	-	-	-	-
HI4062	46	46	46	61	61	-	-	-	-
HI4063	59	59	59	-	-	-	-	-	-
HI4064	59	61	61	66	-	-	-	-	-
HI4662	70	70	70	85	85	-	-	-	-
HI4663	85	85	85	-	-	-	-	-	-
HI4664	87	88	88	-	-	-	-	-	-
HI4072	92	88	88	103	103	103	-	-	-
HI4073	111	107	107	-	-	-	-	-	-
HI4074	118	118	118	124	-	-	-	-	-
HI4082	142	-	-	166	166	166	174	-	-
HI4083	169	148	148	168	-	-	-	-	-
HI4084	218	-	218	234	234	-	-	-	-
HI4092	241	-	-	265	265	265	280	-	-
HI4093	281	283	283	325	335	335	350	-	-
HI4094	292	-	-	347	347	-	-	-	-
HI4102	380	-	-	380	380	425	425	455	470
HI4103	410	-	-	410	410	455	455	-	-
HI4104	445	-	-	445	445	480	-	-	-

**Reducer Weights - Flange Mounted (lbs.)

Unit Size	Solid Input Shaft	C-Frame Quill Input							
		56C	143TC	182TC	213TC	254TC	284TC	324TC	364TC
HI4032	19	20	-	-	-	-	-	-	-
HI4042	29	30	30	35	-	-	-	-	-
HI4043	35	36	-	-	-	-	-	-	-
HI4062	51	51	51	66	66	-	-	-	-
HI4063	64	64	64	-	-	-	-	-	-
HI4064	64	66	66	71	-	-	-	-	-
HI4662	80	80	80	95	95	-	-	-	-
HI4663	95	95	95	-	-	-	-	-	-
HI4664	97	98	98	-	-	-	-	-	-
HI4072	105	101	101	116	116	116	-	-	-
HI4073	124	120	120	-	-	-	-	-	-
HI4074	131	131	131	137	-	-	-	-	-
HI4082	167	-	-	191	191	191	199	-	-
HI4083	194	173	173	193	-	-	-	-	-
HI4084	243	-	243	259	259	-	-	-	-
HI4092	281	-	-	305	305	305	320	-	-
HI4093	316	318	318	360	370	370	385	-	-
HI4094	327	-	-	382	382	-	-	-	-
HI4102	398	-	-	398	398	443	443	473	488
HI4103	428	-	-	428	428	473	473	-	-
HI4104	463	-	-	463	463	498	-	-	-

** For motorized reducer weights, add motor weights from electric motor charts in section H to reducer weights shown on this page.

**For Integral gearmotor weights, follow instructions above (with similar hp C-face motor), and multiply by .93.